

wall mounting appliance inlet - with hinged cover



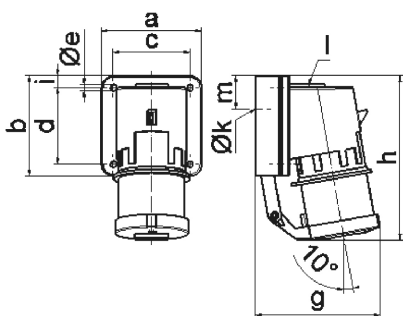
| Product description | |
|-------------------------------|----------------------------------|
| BALS-Prd.-Nr | 2470 |
| EAN | 4024941024709 |
| product category (PG) | GT wall mounting appliance inlet |
| current (A) | 16A |
| number of poles (P99) | 5p |
| number of poles (P) | 3p+N+PE |
| position of earth contact (H) | 9 h |
| voltage (V) | 120/208 up to 144/250V |
| frequency (HZ) | 50 and 60Hz |

| Product description | |
|-----------------------------|---|
| protection degree (SA) | IP44 |
| colour code 1 (KF1) | blue RAL 5015 |
| Colour of appliance | Hinged lid grey, Collar blue, Housing bottom grey, Housing top grey |
| connection design (AT) | screw terminal |
| maximum conductor size (LQ) | 2,5 qmm |
| cable entry (KE) | top entry M20 |
| Height | 138mm |
| Width | 84mm |
| Depth | 105mm |
| dimension of enclosure (GG) | 84x84 mm |
| material of enclosure (GM) | Polyamide |
| contact | The contact carrier is made of polyamide, The contacts are brass |

| Additional technical information | |
|----------------------------------|--|
| | The cable entry is one at top open and one rear sided closed |
| | With hinged lid |

| Logistics data | |
|----------------|------------------|
| Weight/pcs | 0.271 kg / Piece |
| Packaging | Bag |
| Content amount | 1 ST |

| Logistics data | |
|----------------|---------------|
| EAN | 4024941024709 |
| Length | 105 mm |
| Width | 84 mm |
| Height | 138 mm |
| Weight | 0.272 kg |
| Volume | 1,217.16 ccm |
| Packaging | Carton |
| Content amount | 10 ST |
| EAN | 4024941832687 |
| Length | 325 mm |
| Width | 217 mm |
| Height | 210 mm |
| Weight | 2.916 kg |
| Volume | 13,588.4 ccm |



5 MB 12

| Ampere Polzahl | 16 5 | 32 3 | 32 4 | 32 5 |
|----------------------------|---------|---------|---------|---------|
| a | 84,0 | 90,0 | 90,0 | 90,0 |
| b | 84,0 | 75,0 | 75,0 | 75,0 |
| c | 64,0 | 78,0 | 78,0 | 78,0 |
| d | 64,0 | 45,0 | 45,0 | 45,0 |
| e ø | 5,5 | 5,5 | 5,5 | 5,5 |
| g | 105,0 | 114,0 | 114,0 | 115,0 |
| h | 138,0 | 149,0 | 149,0 | 150,0 |
| i | 10,0 | 13,0 | 13,0 | 13,0 |
| k ø | 23,0 | 29,0 | 29,0 | 29,0 |
| l | M20 | M25 | M25 | M25 |
| m | 28,0 | 27,0 | 27,0 | 27,0 |
| Leiter mm ² min | 1 | 2,5 | 2,5 | 2,5 |
| Leiter mm ² max | 2,5 | 6 | 6 | 6 |