

wall mounting appliance inlet - with hinged cover



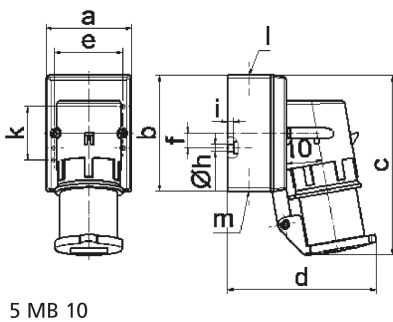
Product description	
BALS-Prd.-Nr	2465
EAN	4024941024655
product category (PG)	GT wall mounting appliance inlet
current (A)	16A
number of poles (P99)	4p
number of poles (P)	3P+PE
position of earth contact (H)	6 h
voltage (V)	380 up to 415V
frequency (HZ)	50 and 60Hz

Product description	
protection degree (SA)	IP44
colour code 1 (KF1)	red RAL 3000
Colour of appliance	Hinged lid grey, Collar red, Housing bottom grey, Housing top grey
connection design (AT)	screw terminal
maximum conductor size (LQ)	2,5 qmm
cable entry (KE)	top entry M20
Height	150mm
Width	75mm
Depth	119mm
dimension of enclosure (GG)	100x75 mm (HxW)
material of enclosure (GM)	Polyamide
contact	The contact carrier is made of polyamide, The contacts are brass

Additional technical information	
	The cable entry is one at top open and one at bottom and one rear side closed
	With hinged lid

Logistics data	
Weight/pcs	0.255 kg / Piece
Packaging	Bag
Content amount	1 ST

Logistics data	
EAN	4024941024655
Length	119 mm
Width	75 mm
Height	150 mm
Weight	0.256 kg
Volume	1,338.75 ccm
Packaging	Carton
Content amount	10 ST
EAN	4024941970877
Length	325 mm
Width	217 mm
Height	210 mm
Weight	2.756 kg
Volume	13,588.4 ccm



Ampere	16	16				
Polzahl	3	4				
a	64,0	75,0				
b	87,0	100,0				
c	138,0	150,0				
d	111,0	120,0				
e	51,0	59,0				
f	-	11,0				
h ø	4,1	5,1				
i	4,5	4,5				
k	40,0	-				
l	M20	M20				
m	für M20	für M20				
Leiter mm² min	1	1				
Leiter mm² max	2,5	2,5				