

wall mounting appliance inlet - housing dimensions 170x118, for 3P+PE, 3P+N+PE



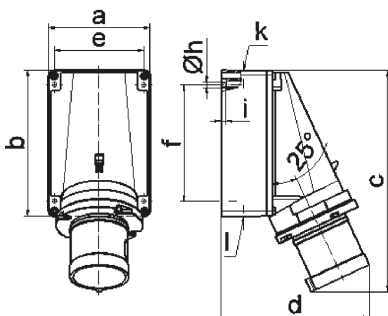
Product description	
BALS-Prd.-Nr	24632
EAN	4024941947640
product category	TE wall mounting appliance inlet
current	63A
number of poles	5p
number of poles	3p+N+PE
position of earth contact	5 h
voltage	347/600 up to 400/690V

Product description	
frequency	50 and 60Hz
protection degree	IP44
colour code	black RAL 9005
Colour of appliance	Collar black, Housing bottom grey, Housing top grey
connection design	screw terminal
maximum conductor size	16,0 qmm
cable entry	top entry M40, bottom entry M32
Height	259mm
Width	118mm
Depth	174mm
dimension of enclosure	170x118 mm (HxW)
material of enclosure	Polycarbonate
contact	The contact carrier is made of high temperature resistant material, the contacts are brass nickel plated

Additional technical information	
	The cable entry is one at top open and two at bottom closed
	Lower part of housing rotatable by 180°

Logistics data	
Weight/pcs	0.93 kg / Piece
Packaging	Bag

Logistics data	
Content amount	1 ST
EAN	4024941947640
Length	174 mm
Width	118 mm
Height	259 mm
Weight	0.931 kg
Volume	5,317.788 ccm
Packaging	Carton
Content amount	5 ST
EAN	4024941838054
Length	445 mm
Width	335 mm
Height	210 mm
Weight	5.026 kg
Volume	29,040 ccm



Ampere Polzahl	63 3	63 4	63 5
a	118,0	118,0	118,0
b	170,0	170,0	170,0
c	259,0	259,0	259,0
d	174,0	174,0	174,0
e	104,0	104,0	104,0
f	136,0	136,0	136,0
h ø	6,1	6,1	6,1
i	6,0	6,0	6,0
k	M40	M40	M40
l	M32/32	M32/32	M32/32
Leiter mm ² min	6	6	6
Leiter mm ² max	16	16	16