

wall mounting appliance inlet - housing dimensions 260x160



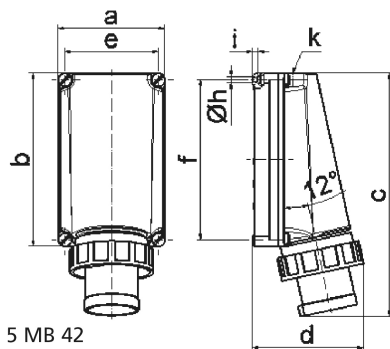
| Product description | |
|---------------------------|----------------------------------|
| BALS-Prd.-Nr | 24543 |
| EAN | 4024941245432 |
| product category | TE wall mounting appliance inlet |
| current | 125A |
| number of poles | 5p |
| number of poles | 3p+N+PE |
| position of earth contact | 5 h |
| voltage | 347/600 up to 400/690V |

| Product description | |
|------------------------|--|
| frequency | 50 and 60Hz |
| protection degree | IP67 |
| colour code | black RAL 9005 |
| Colour of appliance | Collar black, Bayonet ring grey, Housing screws grey, Housing bottom grey, Housing top grey |
| connection design | screw terminal as box terminal |
| maximum conductor size | 50.0 qmm |
| cable entry | 1xM50 from above |
| Height | 366mm |
| Width | 160mm |
| Depth | 163mm |
| dimension of enclosure | 260x160 mm (HxW) |
| material of enclosure | Polycarbonate |
| contact | The contact carrier is made of high temperature resistant material, the contacts are brass nickel plated |

| Additional technical information | |
|----------------------------------|------------------------------------|
| | The cable entry is one at top open |

| Logistics data | |
|----------------|------------------|
| Weight/pcs | 2.245 kg / Piece |
| Packaging | Carton |
| Content amount | 1 ST |

| Logistics data | |
|----------------|---------------|
| EAN | 4024941245432 |
| Length | 440 mm |
| Width | 225 mm |
| Height | 165 mm |
| Weight | 2.473 kg |
| Volume | 13,545 ccm |



| Ampere Polzahl | 125 3 | 125 4 | 125 5 | | | |
|----------------------------|----------|----------|----------|--|--|--|
| a | 160,0 | 160,0 | 160,0 | | | |
| b | 260,0 | 260,0 | 260,0 | | | |
| c | 364,0 | 364,0 | 364,0 | | | |
| d | 165,0 | 165,0 | 165,0 | | | |
| e | 140,0 | 140,0 | 140,0 | | | |
| f | 240,0 | 240,0 | 240,0 | | | |
| h ø | 8,3 | 8,3 | 8,3 | | | |
| i | 10,0 | 10,0 | 10,0 | | | |
| k | M50 | M50 | M50 | | | |
| Leiter mm ² min | 16 | 16 | 16 | | | |
| Leiter mm ² max | 50 | 50 | 50 | | | |
| | | | | | | |
| | | | | | | |