

wall mounting appliance inlet - without closure cap



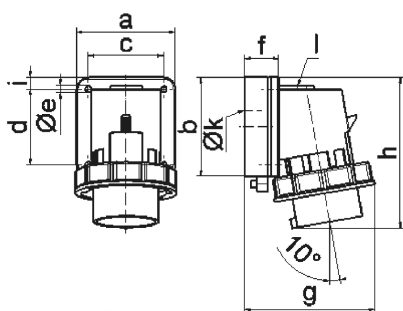
Product description	
BALS-Prd.-Nr	24416
EAN	4024941244169
product group	TE wall mounting appliance inlet Quick-Connect
current	16A
number of poles	5p
Arrangement of the phases	3p+N+PE
position of earth contact	6 h
voltage (V)	200/346 up to 240/415V
frequency	50 and 60Hz

Product description	
protection degree	IP67
colour code	red RAL 3000
Colour of appliance	Collar red, Bayonet ring grey, Housing bottom grey, Housing top grey
connection design	screwless spring-clamp
maximum conductor size (LQ)	2,5 qmm
cable entry (KE)	top entry M20
Height	129mm
Width	87mm
Depth	111mm
dimension of enclosure (GG)	84x84 mm
material of enclosure	Polyamide
contact	The contact carrier is made of high temperature resistant material, the contacts are brass nickel plated

Additional technical information	
	The cable entry is one at top open and one rear sided closed

Logistics data	
Weight/pcs	0.27 kg / Piece
Packaging	Bag
Content amount	1 ST

Logistics data	
EAN	4024941244169
Length	111 mm
Width	87 mm
Height	129 mm
Weight	0.271 kg
Volume	1,245.753 ccm
Packaging	Carton
Content amount	10 ST
EAN	4024941832946
Length	325 mm
Width	217 mm
Height	210 mm
Weight	2.906 kg
Volume	13,588.4 ccm



Ampere	16	32				
Polzahl	5	5				
a	84,0	90,0				
b	84,0	75,0				
c	64,0	78,0				
d	64,0	45,0				
e ø	5,5	5,5				
f	28,0	28,0				
g	111,0	123,0				
h	136,0	139,0				
i	10,0	13,0				
k ø	23,0	29,0				
l	M20	M25				