

wall mounting appliance inlet - with hinged cover



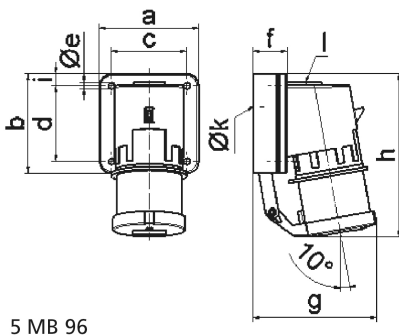
Product description	
BALS-Prd.-Nr	24415
EAN	4024941244152
product group	TE wall mounting appliance inlet Quick-Connect
current	32A
number of poles	5p
Arrangement of the phases	3p+N+PE
position of earth contact	6 h
voltage (V)	200/346 up to 240/415V
frequency	50 and 60Hz

Product description	
protection degree	IP44
colour code	red RAL 3000
Colour of appliance	Hinged lid grey, Collar red, Housing bottom grey, Housing top grey
connection design	screwless spring-clamp
maximum conductor size (LQ)	6,0 qmm
cable entry (KE)	top entry M25
Height	148mm
Width	90mm
Depth	118mm
dimension of enclosure (GG)	75x90 mm (HxW)
material of enclosure	Polyamide
contact	The contact carrier is made of high temperature resistant material, the contacts are brass nickel plated

Additional technical information	
	The cable entry is one at top open and one rear sided closed
	With hinged lid

Logistics data	
Weight/pcs	0.351 kg / Piece
Packaging	Bag

Logistics data	
Content amount	1 ST
EAN	4024941244152
Length	118 mm
Width	90 mm
Height	148 mm
Weight	0.352 kg
Volume	1,571.76 ccm
Packaging	Carton
Content amount	10 ST
EAN	4024941822961
Length	325 mm
Width	217 mm
Height	210 mm
Weight	3.716 kg
Volume	13,588.4 ccm



Ampere Polzahl	16	32				
a	84,0	90,0				
b	84,0	75,0				
c	64,0	78,0				
d	64,0	45,0				
e ø	5,5	5,5				
f	29,0	29,0				
g	105,0	115,0				
h	138,0	150,0				
i	10,0	13,0				
k ø	23,0	29,0				
l	M20	M25				
Leiter mm ² min	1	2,5				
Leiter mm ² max	2,5	6				