

wall mounting appliance inlet - housing dimension 170x118, for 2P+PE



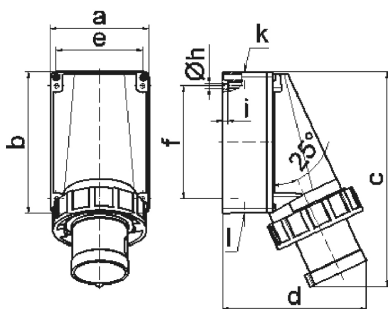
Product description	
BALS-Prd.-Nr	24340
EAN	4024941243407
product category (PG)	GT wall mounting appliance inlet
current (A)	63A
number of poles (P99)	3p
number of poles (P)	2P+PE
position of earth contact (H)	6 h
voltage (V)	200 up to 250V

Product description	
frequency (HZ)	50 and 60Hz
protection degree (SA)	IP67
colour code 1 (KF1)	blue RAL 5015
Colour of appliance	Collar blue, Bayonet ring grey, Housing bottom grey, Housing top grey
connection design (AT)	screw terminal as box terminal
maximum conductor size (LQ)	16,0 qmm
cable entry (KE)	top entry M40, bottom entry M32
Height	259mm
Width	118mm
Depth	174mm
dimension of enclosure (GG)	170x118 mm (HxW)
material of enclosure (GM)	Polycarbonate
contact	The contact carrier is made of high temperature resistant material, the contacts are brass nickel plated

Additional technical information	
	The cable entry is one at top open and two at bottom closed
	Lower part of housing rotatable by 180°

Logistics data	
Weight/pcs	0.845 kg / Piece

Logistics data	
Packaging	Bag
Content amount	1 ST
EAN	4024941243407
Length	174 mm
Width	118 mm
Height	259 mm
Weight	0.846 kg
Volume	5,317.788 ccm
Packaging	Carton
Content amount	5 ST
EAN	4024941958899
Length	445 mm
Width	335 mm
Height	210 mm
Weight	4.601 kg
Volume	29,040 ccm



5 MB 37

Ampere Polzahl	63 3	63 4	63 5				
a	118,0	118,0	118,0				
b	170,0	170,0	170,0				
c	259,0	259,0	259,0				
d	174,0	174,0	174,0				
e	104,0	104,0	104,0				
f	136,0	136,0	136,0				
h ø	6,1	6,1	6,1				
i	6,0	6,0	6,0				
k	M40	M40	M40				
l	M32/32	M32/32	M32/32				
Leiter mm² min	6	6	6				
Leiter mm² max	16	16	16				