

wall mounting appliance inlet - housing dimensions 170x118, for 3P+PE, 3P+N+PE

Abbildung ähnlich - similar picture



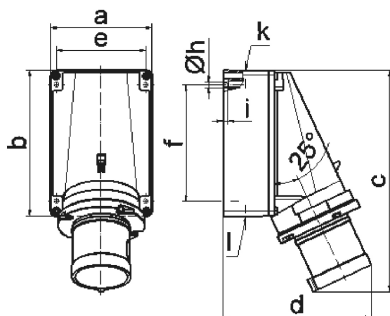
Product description	
BALS-Prd.-Nr	24338
EAN	4024941243384
product group	GT wall mounting appliance inlet
current	63A
number of poles	4p
Arrangement of the phases	3P+PE
position of earth contact	6 h
voltage (V)	380 up to 415V

Product description	
frequency	50 and 60Hz
protection degree	IP44
colour code	red RAL 3000
Colour of appliance	Collar red, Housing bottom grey, Housing top grey
connection design	box terminal
maximum conductor size (LQ)	16,0 qmm
cable entry (KE)	top entry M40, bottom entry M32
Height	259mm
Width	118mm
Depth	174mm
dimension of enclosure (GG)	170x118 mm (HxW)
material of enclosure	Polycarbonate
contact	The contact carrier is made of polyamide, The contacts are brass

Additional technical information	
	The cable entry is one at top open and two at bottom closed
	Lower part of housing rotatable by 180°

Logistics data	
Weight/pcs	0.925 kg / Piece
Packaging	Bag

Logistics data	
Content amount	1 ST
EAN	4024941243384
Length	174 mm
Width	18 mm
Height	259 mm
Weight	0.926 kg
Volume	811.188 ccm
Packaging	Carton
Content amount	5 ST
EAN	4024941958905
Length	445 mm
Width	335 mm
Height	210 mm
Weight	5.001 kg
Volume	29,040 ccm



Ampere	63	63	63			
Polzahl	3	4	5			
a	118,0	118,0	118,0			
b	170,0	170,0	170,0			
c	259,0	259,0	259,0			
d	174,0	174,0	174,0			
e	104,0	104,0	104,0			
f	136,0	136,0	136,0			
h ø	6,1	6,1	6,1			
i	6,0	6,0	6,0			
k	M40	M40	M40			
l	M32/32	M32/32	M32/32			
Leiter mm ² min	6	6	6			
Leiter mm ² max	16	16	16			