

## wall mounting appliance inlet - with hinged cover



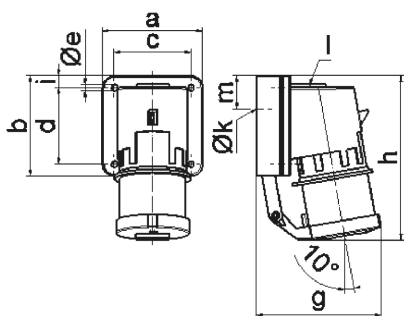
Product description	
BALS-Prd.-Nr	24335
EAN	4024941243353
product category (PG)	GT wall mounting appliance inlet
current (A)	32A
number of poles (P99)	3p
number of poles (P)	2P+PE
position of earth contact (H)	4 h
voltage (V)	100 up to 130V
frequency (HZ)	50 and 60Hz

Product description	
protection degree (SA)	IP44
colour code 1 (KF1)	yellow RAL 1012
Colour of appliance	Collar yellow, Hinged lid grey, Housing bottom grey, Housing top grey
connection design (AT)	screw terminal
maximum conductor size (LQ)	6,0 qmm
cable entry (KE)	top entry M25
Height	147mm
Width	90mm
Depth	117mm
dimension of enclosure (GG)	75x90 mm (HxW)
material of enclosure (GM)	Polyamide
contact	The contact carrier is made of polyamide, The contacts are brass

Additional technical information	
	The cable entry is one at top open and one rear sided closed
	With hinged lid

Logistics data	
Weight/pcs	0.314 kg / Piece
Packaging	Bag
Content amount	1 ST

Logistics data	
EAN	4024941243353
Length	117 mm
Width	90 mm
Height	147 mm
Weight	0.315 kg
Volume	1,547.91 ccm
Packaging	Carton
Content amount	10 ST
EAN	4024941822916
Length	325 mm
Width	217 mm
Height	210 mm
Weight	3.346 kg
Volume	13,588.4 ccm



5 MB 12

Ampere	16	32	32	32
Polzahl	5	3	4	5
a	84,0	90,0	90,0	90,0
b	84,0	75,0	75,0	75,0
c	64,0	78,0	78,0	78,0
d	64,0	45,0	45,0	45,0
e ø	5,5	5,5	5,5	5,5
g	105,0	114,0	114,0	115,0
h	138,0	149,0	149,0	150,0
i	10,0	13,0	13,0	13,0
k ø	23,0	29,0	29,0	29,0
l	M20	M25	M25	M25
m	28,0	27,0	27,0	27,0
Leiter mm <sup>2</sup> min	1	2,5	2,5	2,5
Leiter mm <sup>2</sup> max	2,5	6	6	6