

wall mounting appliance inlet - housing dimensions 260x160



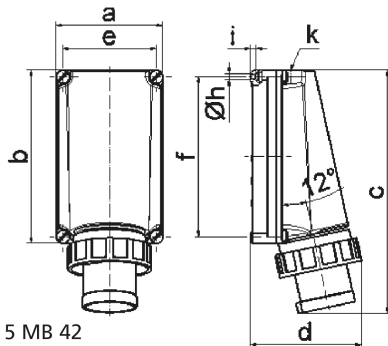
Product description	
BALS-Prd.-Nr	24201
EAN	4024941242011
product category (PG)	GT wall mounting appliance inlet
current (A)	125A
number of poles (P99)	4p
number of poles (P)	3P+PE
position of earth contact (H)	7 h
voltage (V)	480 up to 500V

Product description	
frequency (HZ)	50 and 60Hz
protection degree (SA)	IP67
colour code 1 (KF1)	black RAL 9005
Colour of appliance	Collar black, Bayonet ring grey, Housing screws grey, Housing bottom grey, Housing top grey
connection design (AT)	screw terminal as box terminal
maximum conductor size (LQ)	50.0 qmm
cable entry (KE)	1xM50 from above
Height	366mm
Width	160mm
Depth	163mm
dimension of enclosure (GG)	260x160 mm (HxW)
material of enclosure (GM)	Polycarbonate
contact	The contact carrier is made of high temperature resistant material, the contacts are brass nickel plated

Additional technical information	
	The cable entry is one at top open

Logistics data	
Weight/pcs	2.138 kg / Piece
Packaging	Carton
Content amount	1 ST

Logistics data	
EAN	4024941242011
Length	440 mm
Width	225 mm
Height	165 mm
Weight	2.366 kg
Volume	13,545 ccm



Ampere Polzahl	125 3	125 4	125 5			
a	160,0	160,0	160,0			
b	260,0	260,0	260,0			
c	364,0	364,0	364,0			
d	165,0	165,0	165,0			
e	140,0	140,0	140,0			
f	240,0	240,0	240,0			
h ø	8,3	8,3	8,3			
i	10,0	10,0	10,0			
k	M50	M50	M50			
Leiter mm ² min	16	16	16			
Leiter mm ² max	50	50	50			