

wall mounting appliance inlet - housing dimensions 170x118, for 3P+PE, 3P+N+PE



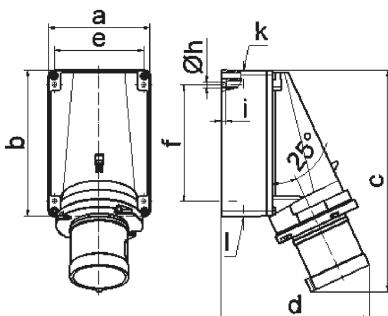
Product description	
BALS-Prd.-Nr	24134
EAN	4024941241342
product category (PG)	GT wall mounting appliance inlet
current (A)	63A
number of poles (P99)	5p
number of poles (P)	3p+N+PE
position of earth contact (H)	6 h
voltage (V)	200/346 up to 240/415V

Product description	
frequency (HZ)	50 and 60Hz
protection degree (SA)	IP44
colour code 1 (KF1)	red RAL 3000
Colour of appliance	Collar red, Housing bottom grey, Housing top grey
connection design (AT)	screw terminal
maximum conductor size (LQ)	16,0 qmm
cable entry (KE)	top entry M40, bottom entry M32
Height	259mm
Width	118mm
Depth	174mm
dimension of enclosure (GG)	170x118 mm (HxW)
material of enclosure (GM)	Polycarbonate
contact	The contact carrier is made of polyamide, The contacts are brass

Additional technical information	
	The cable entry is one at top open and two at bottom closed
	Lower part of housing rotatable by 180°

Logistics data	
Weight/pcs	0.975 kg / Piece
Packaging	Bag

Logistics data	
Content amount	1 ST
EAN	4024941241342
Length	174 mm
Width	118 mm
Height	259 mm
Weight	0.976 kg
Volume	5,317.788 ccm
Packaging	Carton
Content amount	5 ST
EAN	4024941946056
Length	445 mm
Width	335 mm
Height	210 mm
Weight	5.251 kg
Volume	29,040 ccm



Ampere Polzahl	63 3	63 4	63 5
a	118,0	118,0	118,0
b	170,0	170,0	170,0
c	259,0	259,0	259,0
d	174,0	174,0	174,0
e	104,0	104,0	104,0
f	136,0	136,0	136,0
h ø	6,1	6,1	6,1
i	6,0	6,0	6,0
k	M40	M40	M40
l	M32/32	M32/32	M32/32
Leiter mm ² min	6	6	6
Leiter mm ² max	16	16	16