

wall mounting appliance inlet - housing dimensions 170x118, for 3P+PE, 3P+N+PE



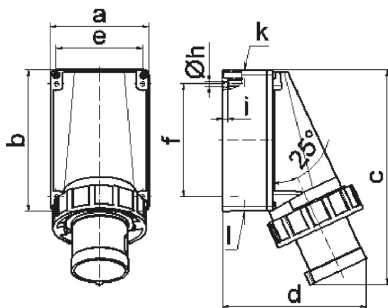
| Product description | |
|-------------------------------|----------------------------------|
| BALS-Prd.-Nr | 24062 |
| EAN | 4024941240628 |
| product category (PG) | GT wall mounting appliance inlet |
| current (A) | 63A |
| number of poles (P99) | 5p |
| number of poles (P) | 3p+N+PE |
| position of earth contact (H) | 6 h |
| voltage (V) | 200/346 up to 240/415V |

| Product description | |
|-----------------------------|--|
| frequency (HZ) | 50 and 60Hz |
| protection degree (SA) | IP67 |
| colour code 1 (KF1) | red RAL 3000 |
| Colour of appliance | Collar red, Bayonet ring grey, Housing bottom grey, Housing top grey |
| connection design (AT) | screw terminal |
| maximum conductor size (LQ) | 16,0 qmm |
| cable entry (KE) | top entry M40, bottom entry M32 |
| Height | 259mm |
| Width | 118mm |
| Depth | 174mm |
| dimension of enclosure (GG) | 170x118 mm (HxW) |
| material of enclosure (GM) | Polycarbonate |
| contact | The contact carrier is made of polyamide, the contacts are brass nickel plated |

| Additional technical information | |
|----------------------------------|---|
| | The cable entry is one at top open and two at bottom closed |
| | Lower part of housing rotatable by 180° |

| Logistics data | |
|----------------|-----------------|
| Weight/pcs | 1.04 kg / Piece |
| Packaging | Bag |

| Logistics data | |
|----------------|---------------|
| Content amount | 1 ST |
| EAN | 4024941240628 |
| Length | 174 mm |
| Width | 118 mm |
| Height | 259 mm |
| Weight | 1.041 kg |
| Volume | 5,317.788 ccm |
| Packaging | Carton |
| Content amount | 5 ST |
| EAN | 4024941964791 |
| Length | 445 mm |
| Width | 335 mm |
| Height | 210 mm |
| Weight | 5.576 kg |
| Volume | 29,040 ccm |



5 MB 37

| Ampere Polzahl | 63 3 | 63 4 | 63 5 | | | |
|----------------------------|--------|--------|--------|--|--|--|
| a | 118,0 | 118,0 | 118,0 | | | |
| b | 170,0 | 170,0 | 170,0 | | | |
| c | 259,0 | 259,0 | 259,0 | | | |
| d | 174,0 | 174,0 | 174,0 | | | |
| e | 104,0 | 104,0 | 104,0 | | | |
| f | 136,0 | 136,0 | 136,0 | | | |
| h ø | 6,1 | 6,1 | 6,1 | | | |
| i | 6,0 | 6,0 | 6,0 | | | |
| k | M40 | M40 | M40 | | | |
| l | M32/32 | M32/32 | M32/32 | | | |
| Leiter mm ² min | 6 | 6 | 6 | | | |
| Leiter mm ² max | 16 | 16 | 16 | | | |