

## wall mounting appliance inlet - with hinged cover



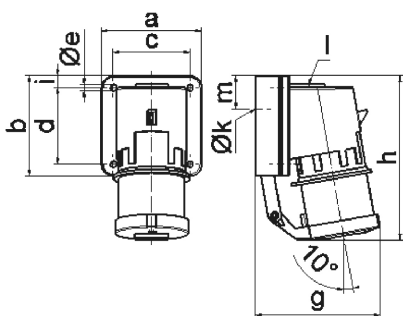
Product description	
BALS-Prd.-Nr	24018
EAN	4024941240185
product category (PG)	GT wall mounting appliance inlet
current (A)	32A
number of poles (P99)	4p
number of poles (P)	3P+PE
position of earth contact (H)	6 h
voltage (V)	380 up to 415V
frequency (HZ)	50 and 60Hz

Product description	
protection degree (SA)	IP44
colour code 1 (KF1)	red RAL 3000
Colour of appliance	Hinged lid grey, Collar red, Housing bottom grey, Housing top grey
connection design (AT)	screw terminal
maximum conductor size (LQ)	6,0 qmm
cable entry (KE)	top entry M25
Height	147mm
Width	90mm
Depth	117mm
dimension of enclosure (GG)	75x90 mm (HxW)
material of enclosure (GM)	Polyamide
contact	The contact carrier is made of polyamide, The contacts are brass

Additional technical information	
	The cable entry is one at top open and one rear sided closed
	With hinged lid

Logistics data	
Weight/pcs	0.329 kg / Piece
Packaging	Bag
Content amount	1 ST

Logistics data	
EAN	4024941240185
Length	117 mm
Width	90 mm
Height	147 mm
Weight	0.33 kg
Volume	1,547.91 ccm
Packaging	Carton
Content amount	10 ST
EAN	4024941961479
Length	325 mm
Width	217 mm
Height	210 mm
Weight	3.496 kg
Volume	13,588.4 ccm



5 MB 12

Ampere Polzahl	16 5	32 3	32 4	32 5
a	84,0	90,0	90,0	90,0
b	84,0	75,0	75,0	75,0
c	64,0	78,0	78,0	78,0
d	64,0	45,0	45,0	45,0
e ø	5,5	5,5	5,5	5,5
g	105,0	114,0	114,0	115,0
h	138,0	149,0	149,0	150,0
i	10,0	13,0	13,0	13,0
k ø	23,0	29,0	29,0	29,0
l	M20	M25	M25	M25
m	28,0	27,0	27,0	27,0
Leiter mm <sup>2</sup> min	1	2,5	2,5	2,5
Leiter mm <sup>2</sup> max	2,5	6	6	6