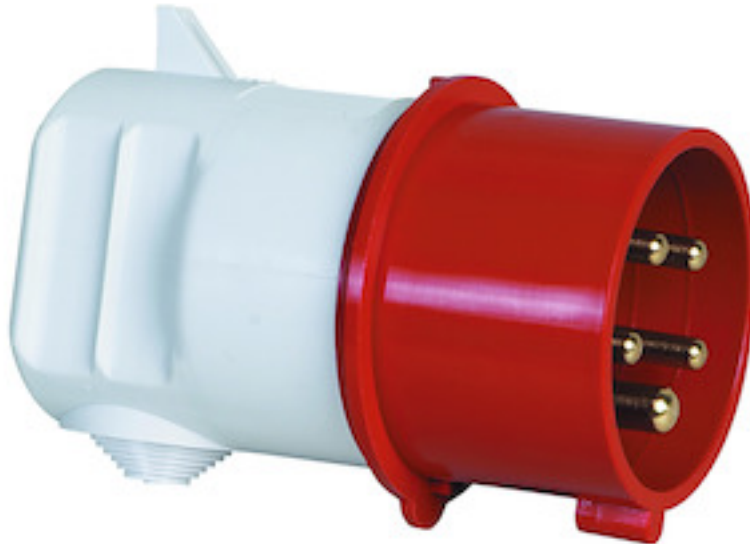


## angled plug - with short cable sleeve



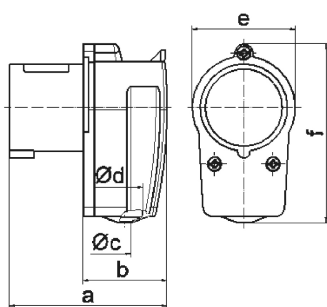
Product description	
BALS-Prd.-Nr	236
EAN	4024941002363
product category (PG)	GT angled plug
current (A)	16A
number of poles (P99)	5p
number of poles (P)	3p+N+PE
position of earth contact (H)	6 h
voltage (V)	200/346 up to 240/415V
frequency (HZ)	50 and 60Hz

Product description	
protection degree (SA)	IP44
colour code 1 (KF1)	red RAL 3000
Colour of appliance	Collar red, Housing cover grey, anti-kink sleeve grey
connection design (AT)	screw terminal
maximum conductor size (LQ)	2,5 qmm
cable entry (KE)	Anti-kink sleeve
Height	74mm
Width	96mm
Depth	64mm
material of enclosure (GM)	Polyamide
contact	The contact carrier is made of polyamide, The contacts are brass

Additional technical information	
	With short cable sleeve

Logistics data	
Weight/pcs	0.15 kg / Piece
Packaging	Bag
Content amount	1 ST
EAN	4024941002363
Length	64 mm

Logistics data	
Width	96 mm
Height	74 mm
Weight	0.151 kg
Volume	454.656 ccm
Packaging	Carton
Content amount	10 ST
EAN	4024941968782
Length	275 mm
Width	175 mm
Height	137 mm
Weight	1.625 kg
Volume	5,737.5 ccm



2 MB 12

Ampere	16	16	16	32		
Polzahl	3	4	5	5		
a	80,0	85,0	96,0	116,0		
b	44,0	49,0	59,0	70,0		
c ø	6,5	6,5	8,0	10,0		
d ø	18,0	18,0	18,0	25,0		
e	51,0	57,0	64,0	-		
f	90,0	95,0	74,0	101,0		
Leiter mm <sup>2</sup> min	1	1	1	2,5		
Leiter mm <sup>2</sup> max	2,5	2,5	2,5	6		