

plug - with TE screw terminals, for harsh applications



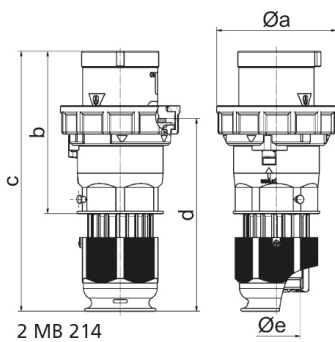
Product description	
BALS-Prd.-Nr	2198
EAN	4024941021982
product group	TE plug
current	125A
number of poles	5p
Arrangement of the phases	3p+N+PE
position of earth contact	9 h
voltage (V)	120/208 up to 144/250V
frequency	50 and 60Hz

Product description	
protection degree	IP67
colour code	blue RAL 5015
Colour of appliance	Pusher grey, Collar blue, Bayonet ring grey, Housing cover grey, Cable gland grey
connection design	box terminal
maximum conductor size (LQ)	50.0 qmm
cable entry (KE)	Cable gland
Height	273mm
Width	126mm
Depth	126mm
material of enclosure	Polyamide
contact	The contact carrier is made of high temperature resistant material, the contacts are brass nickel plated

Additional technical information	
	For cable diameter from 26 up to max. 50 mm, Screwless housing connection, Multi-Grip cable gland with gasket, integrated cable clamp and additional water evacuation openings

Logistics data	
Weight/pcs	1.25 kg / Piece
Packaging	Bag
Content amount	1 ST
EAN	4024941021982

Logistics data	
Length	126 mm
Width	126 mm
Height	282 mm
Weight	1.251 kg
Volume	4,477.032 ccm
Packaging	Carton
Content amount	5 ST
EAN	4024941964500
Length	345 mm
Width	345 mm
Height	217 mm
Weight	6.585 kg
Volume	24,276 ccm



Ampere	125	125	125				
Polzahl	3	4	5				
a ø	126,0	126,0	126,0				
b	181,0	181,0	181,0				
c	282,0	282,0	282,0				
d	206,0	206,0	206,0				
e ø	50,0	50,0	50,0				
Leiter mm ² min	16	16	16				
Leiter mm ² max	50	50	50				