

plug - with TE screw terminals, for harsh applications



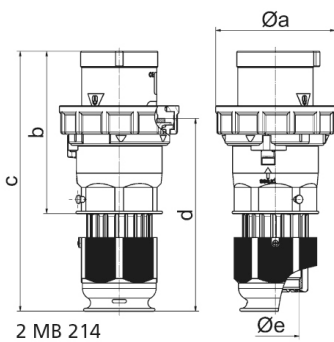
| Product description | |
|---------------------------|----------------------|
| BALS-Prd.-Nr | 2197 |
| EAN | 4024941021975 |
| product group | TE plug |
| current | 125A |
| number of poles | 5p |
| Arrangement of the phases | 3p+N+PE |
| position of earth contact | 4 h |
| voltage (V) | 57/100 up to 75/130V |
| frequency | 50 and 60Hz |

| Product description | |
|-----------------------------|----------------------------------------------------------------------------------------------------------|
| protection degree | IP67 |
| colour code | yellow RAL 1012 |
| Colour of appliance | Collar yellow, Pusher grey, Housing cover grey, Cable gland grey |
| connection design | box terminal |
| maximum conductor size (LQ) | 50.0 qmm |
| cable entry (KE) | Cable gland |
| Height | 273mm |
| Width | 126mm |
| Depth | 126mm |
| material of enclosure | Polyamide |
| contact | The contact carrier is made of high temperature resistant material, the contacts are brass nickel plated |

| Additional technical information | |
|----------------------------------|--------------------------------------------------------------------------------------------------------------------------------------------------|
| | For cable diameter from 26 up to max. 50 mm, Multi-Grip cable gland with gasket, integrated cable clamp and additional water evacuation openings |

| Logistics data | |
|----------------|------------------|
| Weight/pcs | 1.235 kg / Piece |
| Packaging | Bag |
| Content amount | 1 ST |
| EAN | 4024941021975 |

| Logistics data | |
|----------------|---------------|
| Length | 126 mm |
| Width | 126 mm |
| Height | 282 mm |
| Weight | 1.236 kg |
| Volume | 4,477.032 ccm |
| Packaging | Carton |
| Content amount | 5 ST |
| EAN | 4024941832359 |
| Length | 345 mm |
| Width | 345 mm |
| Height | 217 mm |
| Weight | 6.51 kg |
| Volume | 24,276 ccm |



| Ampere | 125 | 125 | 125 | | | | |
|----------------------------|-------|-------|-------|--|--|--|--|
| Polzahl | 3 | 4 | 5 | | | | |
| a ø | 126,0 | 126,0 | 126,0 | | | | |
| b | 181,0 | 181,0 | 181,0 | | | | |
| c | 282,0 | 282,0 | 282,0 | | | | |
| d | 206,0 | 206,0 | 206,0 | | | | |
| e ø | 50,0 | 50,0 | 50,0 | | | | |
| Leiter mm ² min | 16 | 16 | 16 | | | | |
| Leiter mm ² max | 50 | 50 | 50 | | | | |
| | | | | | | | |
| | | | | | | | |
| | | | | | | | |
| | | | | | | | |