

plug - with TE screw terminals, for harsh applications



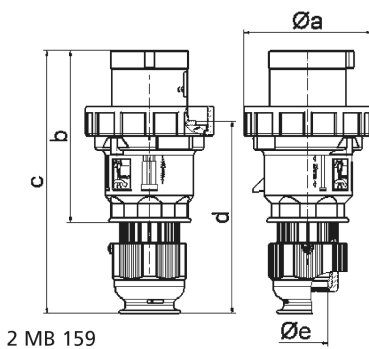
| Product description | |
|---------------------------|------------------------|
| BALS-Prd.-Nr | 2188 |
| EAN | 4024941021883 |
| product group | TE plug |
| current | 63A |
| number of poles | 5p |
| Arrangement of the phases | 3p+N+PE |
| position of earth contact | 9 h |
| voltage (V) | 120/208 up to 144/250V |
| frequency | 50 and 60Hz |

| Product description | |
|-----------------------------|--|
| protection degree | IP67 |
| colour code | blue RAL 5015 |
| Colour of appliance | Pusher grey, Collar blue, Bayonet ring grey, Housing cover grey, Cable gland grey |
| connection design | box terminal |
| maximum conductor size (LQ) | 16,0 qmm |
| cable entry (KE) | Cable gland |
| Height | 234mm |
| Width | 114mm |
| Depth | 114mm |
| material of enclosure | Polyamide |
| contact | The contact carrier is made of high temperature resistant material, the contacts are brass nickel plated |

| Additional technical information | |
|----------------------------------|--|
| | For cable diameter from 16 up to max. 36 mm, Screwless housing connection, Multi-Grip cable gland with gasket, integrated cable clamp and additional water evacuation openings |

| Logistics data | |
|----------------|------------------|
| Weight/pcs | 0.705 kg / Piece |
| Packaging | Bag |
| Content amount | 1 ST |
| EAN | 4024941021883 |

| Logistics data | |
|----------------|---------------|
| Length | 114 mm |
| Width | 114 mm |
| Height | 234 mm |
| Weight | 0.706 kg |
| Volume | 3,041.064 ccm |
| Packaging | Carton |
| Content amount | 5 ST |
| EAN | 4024941952712 |
| Length | 325 mm |
| Width | 217 mm |
| Height | 210 mm |
| Weight | 3.731 kg |
| Volume | 13,588.4 ccm |



| Ampere | 63 | 63 | 63 | | | | |
|----------------|-------|-------|-------|--|--|--|--|
| Polzahl | 3 | 4 | 5 | | | | |
| a ø | 113,5 | 113,5 | 113,5 | | | | |
| b | 153,0 | 153,0 | 153,0 | | | | |
| c | 233,0 | 233,0 | 233,0 | | | | |
| d | 171,0 | 171,0 | 171,0 | | | | |
| e ø | 36,0 | 36,0 | 36,0 | | | | |
| Leiter mm² min | 6 | 6 | 6 | | | | |
| Leiter mm² max | 16 | 16 | 16 | | | | |
| | | | | | | | |
| | | | | | | | |
| | | | | | | | |
| | | | | | | | |