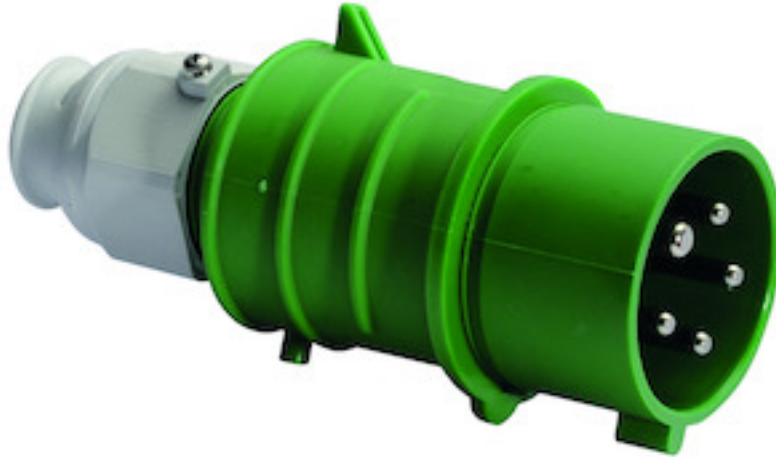


plug - with screwless terminals, for harsh applications



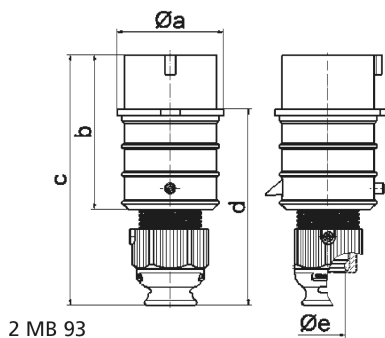
Product description	
BALS-Prd.-Nr	21885
EAN	4024941218856
product group	Quick-Connect TE plug
current	32A
number of poles	5p
Arrangement of the phases	3p+N+PE
position of earth contact	2 h
voltage (V)	> 50V
frequency	over 300 up to 500Hz

Product description	
protection degree	IP44
colour code	green RAL 6002
Colour of appliance	Cable gland grey, Housing cover green, Collar green
connection design	screwless spring-clamp
maximum conductor size (LQ)	6,0 qmm
cable entry (KE)	Cable gland
Height	181mm
Width	72mm
Depth	87mm
material of enclosure	Polyamide
contact	The contact carrier is made of high temperature resistant material, the contacts are brass nickel plated

Additional technical information	
	For cable diameter from 13 up to max. 27 mm, Multi-Grip cable gland with gasket, integrated cable clamp and additional water evacuation openings

Logistics data	
Weight/pcs	0.305 kg / Piece
Packaging	Bag
Content amount	1 ST
EAN	4024941218856

Logistics data	
Length	87 mm
Width	72 mm
Height	181 mm
Weight	0.306 kg
Volume	1,133.784 ccm
Packaging	Carton
Content amount	10 ST
EAN	4024941822671
Length	258 mm
Width	183 mm
Height	212 mm
Weight	3.202 kg
Volume	8,750 ccm



Ampere	16	16	16	32	32	32
Polzahl	3	4	5	3	4	5
a ø	51,0	57,5	65,0	66,0	66,0	72,0
b	95,0	95,0	97,0	118,0	118,0	117,0
c	145,0	145,0	152,0	178,0	178,0	181,0
d	109,0	109,0	116,0	133,0	133,0	135,5
e ø	18,0	18,0	21,0	23,0	23,0	27,0
Leiter mm² min	1	1	1	2,5	2,5	2,5
Leiter mm² max	2,5	2,5	2,5	6	6	6