

for direct current, with Multi-Grip



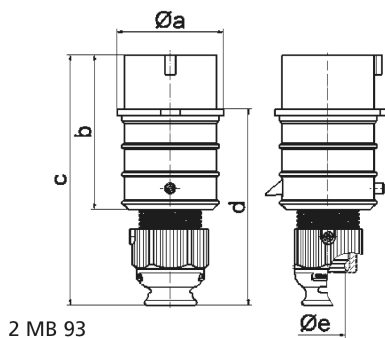
| Product description | |
|---------------------------|-----------------------|
| BALS-Prd.-Nr | 21882 |
| EAN | 4024941218825 |
| product group | Quick-Connect TE plug |
| current | 16A |
| number of poles | 3p |
| Arrangement of the phases | 2P+PE |
| position of earth contact | 8 h |
| voltage (V) | over 250V |
| frequency | direct current (DC) |

| Product description | |
|-----------------------------|--|
| protection degree | IP44 |
| colour code | gray RAL 7035 |
| Colour of appliance | Housing cover grey, Cable gland grey, Collar grey |
| connection design | screwless spring-clamp |
| maximum conductor size (LQ) | 2,5 qmm |
| cable entry (KE) | Cable gland |
| Height | 147mm |
| Width | 51mm |
| Depth | 59mm |
| material of enclosure | Polyamide |
| contact | The contact carrier is made of high temperature resistant material, the contacts are brass nickel plated |

| Additional technical information | |
|----------------------------------|---|
| | For cable diameter from 8 up to max. 18 mm, Multi-Grip cable gland with gasket, integrated cable clamp and additional water evacuation openings |

| Logistics data | |
|----------------|------------------|
| Weight/pcs | 0.125 kg / Piece |
| Packaging | Bag |
| Content amount | 1 ST |
| EAN | 4024941218825 |

| Logistics data | |
|----------------|---------------|
| Length | 51 mm |
| Width | 51 mm |
| Height | 145 mm |
| Weight | 0.126 kg |
| Volume | 377.145 ccm |
| Packaging | Carton |
| Content amount | 10 ST |
| EAN | 4024941837743 |
| Length | 248 mm |
| Width | 158 mm |
| Height | 123 mm |
| Weight | 1.347 kg |
| Volume | 3,960 ccm |



| Ampere | 16 | 16 | 16 | 32 | 32 | 32 |
|----------------|-------|-------|-------|-------|-------|-------|
| Polzahl | 3 | 4 | 5 | 3 | 4 | 5 |
| a ø | 51,0 | 57,5 | 65,0 | 66,0 | 66,0 | 72,0 |
| b | 95,0 | 95,0 | 97,0 | 118,0 | 118,0 | 117,0 |
| c | 145,0 | 145,0 | 152,0 | 178,0 | 178,0 | 181,0 |
| d | 109,0 | 109,0 | 116,0 | 133,0 | 133,0 | 135,5 |
| e ø | 18,0 | 18,0 | 21,0 | 23,0 | 23,0 | 27,0 |
| Leiter mm² min | 1 | 1 | 1 | 2,5 | 2,5 | 2,5 |
| Leiter mm² max | 2,5 | 2,5 | 2,5 | 6 | 6 | 6 |
| | | | | | | |
| | | | | | | |
| | | | | | | |
| | | | | | | |