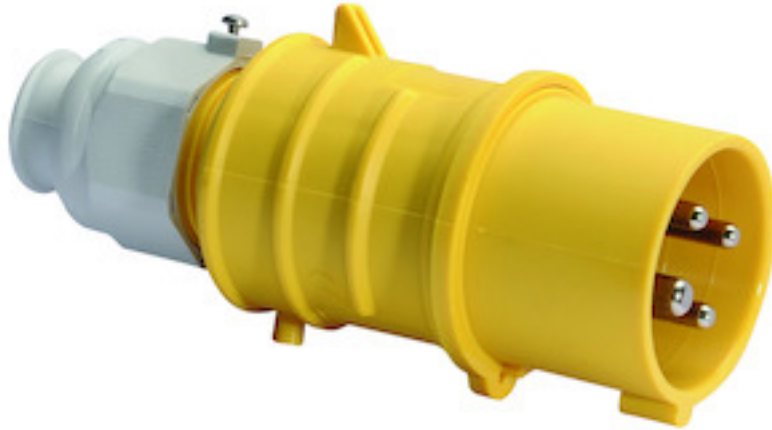


plug - with screwless terminals, for harsh applications



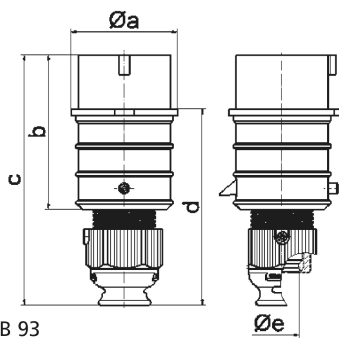
Product description	
BALS-Prd.-Nr	21872
EAN	4024941218726
product group	Quick-Connect TE plug
current	16A
number of poles	4p
Arrangement of the phases	3P+PE
position of earth contact	4 h
voltage (V)	100 up to 130V
frequency	50 and 60Hz

Product description	
protection degree	IP44
colour code	yellow RAL 1012
Colour of appliance	Collar yellow, Cable gland grey, Housing cover yellow
connection design	screwless spring-clamp
maximum conductor size (LQ)	2,5 qmm
cable entry (KE)	Cable gland
Height	154mm
Width	58mm
Depth	66mm
material of enclosure	Polyamide
contact	The contact carrier is made of high temperature resistant material, the contacts are brass nickel plated

Additional technical information	
	For cable diameter from 8 up to max. 18 mm, Multi-Grip cable gland with gasket, integrated cable clamp and additional water evacuation openings

Logistics data	
Weight/pcs	0.144 kg / Piece
Packaging	Bag
Content amount	1 ST
EAN	4024941218726

Logistics data	
Length	66 mm
Width	58 mm
Height	154 mm
Weight	0.145 kg
Volume	589.512 ccm
Packaging	Carton
Content amount	10 ST
EAN	4024941822657
Length	275 mm
Width	175 mm
Height	137 mm
Weight	1.565 kg
Volume	5,737.5 ccm



2 MB 93

Ampere	16	16	16	32	32	32
Polzahl	3	4	5	3	4	5
a ø	51,0	57,5	65,0	66,0	66,0	72,0
b	95,0	95,0	97,0	118,0	118,0	117,0
c	145,0	145,0	152,0	178,0	178,0	181,0
d	109,0	109,0	116,0	133,0	133,0	135,5
e ø	18,0	18,0	21,0	23,0	23,0	27,0
Leiter mm² min	1	1	1	2,5	2,5	2,5
Leiter mm² max	2,5	2,5	2,5	6	6	6