

plug - with TE screw terminals, for harsh applications



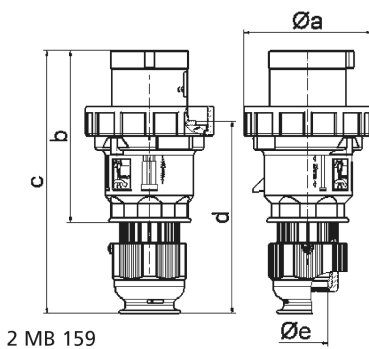
Product description	
BALS-Prd.-Nr	2186
EAN	4024941021869
product group	TE plug
current	63A
number of poles	4p
Arrangement of the phases	3P+PE
position of earth contact	7 h
voltage (V)	480 up to 500V
frequency	50 and 60Hz

Product description	
protection degree	IP67
colour code	black RAL 9005
Colour of appliance	Pusher grey, Collar black, Bayonet ring grey, Cable gland grey, Housing cover black
connection design	box terminal
maximum conductor size (LQ)	16,0 qmm
cable entry (KE)	Cable gland
Height	234mm
Width	114mm
Depth	114mm
material of enclosure	Polyamide
contact	The contact carrier is made of high temperature resistant material, the contacts are brass nickel plated

Additional technical information	
	For cable diameter from 16 up to max. 36 mm, Screwless housing connection, Multi-Grip cable gland with gasket, integrated cable clamp and additional water evacuation openings

Logistics data	
Weight/pcs	0.655 kg / Piece
Packaging	Bag
Content amount	1 ST
EAN	4024941021869

Logistics data	
Length	114 mm
Width	114 mm
Height	234 mm
Weight	0.656 kg
Volume	3,041.064 ccm
Packaging	Carton
Content amount	5 ST
EAN	4024941964487
Length	325 mm
Width	217 mm
Height	210 mm
Weight	3.481 kg
Volume	13,588.4 ccm



Ampere	63	63	63			
Polzahl	3	4	5			
a ø	113,5	113,5	113,5			
b	153,0	153,0	153,0			
c	233,0	233,0	233,0			
d	171,0	171,0	171,0			
e ø	36,0	36,0	36,0			
Leiter mm² min	6	6	6			
Leiter mm² max	16	16	16			