

plug - with screwless terminals, for harsh applications



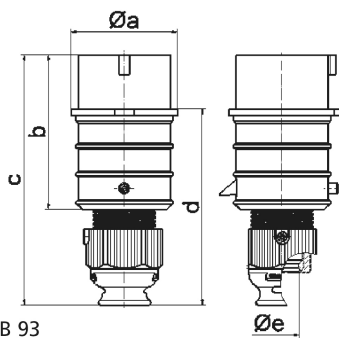
Product description	
BALS-Prd.-Nr	21690
EAN	4024941216906
product group	Quick-Connect TE plug
current	32A
number of poles	3p
Arrangement of the phases	2P+PE
position of earth contact	6 h
voltage (V)	200 up to 250V
frequency	50 and 60Hz

Product description	
protection degree	IP44
colour code	blue RAL 5015
Colour of appliance	Collar blue, Cable gland grey, Housing cover blue
connection design	screwless spring-clamp
maximum conductor size (LQ)	6,0 qmm
cable entry (KE)	Cable gland
Height	180mm
Width	66mm
Depth	79mm
material of enclosure	Polyamide
contact	The contact carrier is made of high temperature resistant material, the contacts are brass nickel plated

Additional technical information	
	For cable diameter from 11 up to max. 23,5 mm, Multi-Grip cable gland with gasket, integrated cable clamp and additional water evacuation openings

Logistics data	
Weight/pcs	0.224 kg / Piece
Packaging	Bag
Content amount	1 ST
EAN	4024941216906

Logistics data	
Length	79 mm
Width	66 mm
Height	180 mm
Weight	0.225 kg
Volume	938.52 ccm
Packaging	Carton
Content amount	10 ST
EAN	4024941940405
Length	258 mm
Width	183 mm
Height	212 mm
Weight	2.392 kg
Volume	8,750 ccm



2 MB 93

Ampere	16	16	16	32	32	32
Polzahl	3	4	5	3	4	5
a \varnothing	51,0	57,5	65,0	66,0	66,0	72,0
b	95,0	95,0	97,0	118,0	118,0	117,0
c	145,0	145,0	152,0	178,0	178,0	181,0
d	109,0	109,0	116,0	133,0	133,0	135,5
e \varnothing	18,0	18,0	21,0	23,0	23,0	27,0
Leiter mm ² min	1	1	1	2,5	2,5	2,5
Leiter mm ² max	2,5	2,5	2,5	6	6	6