

plug - 7 poles, with Multi-Grip



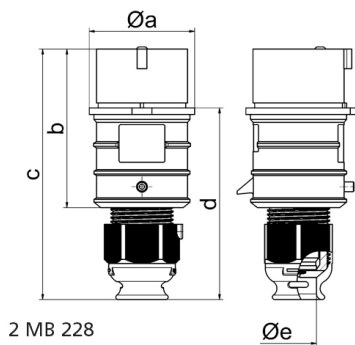
Product description	
BALS-Prd.-Nr	21557
EAN	4024941215572
product group	TE plug
current	16A
number of poles	7p
Arrangement of the phases	6p+PE
position of earth contact	6 h
voltage (V)	400V
frequency	50 and 60Hz

Product description	
protection degree	IP44
colour code	red RAL 3000
Colour of appliance	Housing cover red, Collar red, Cable gland grey
connection design	with screw terminal
maximum conductor size (LQ)	2,5 qmm
cable entry (KE)	Cable gland
Height	154mm
Width	65mm
Depth	74mm
material of enclosure	Polyamide
contact	The contact carrier is made of high temperature resistant material, the contacts are brass nickel plated

Additional technical information	
	For cable diameter from 10 up to max. 21 mm, Multi-Grip cable gland with gasket, integrated cable clamp and additional water evacuation openings

Logistics data	
Weight/pcs	0.218 kg / Piece
Packaging	Bag
Content amount	1 ST
EAN	4024941215572

Logistics data	
Length	74 mm
Width	65 mm
Height	154 mm
Weight	0.219 kg
Volume	740.74 ccm
Packaging	Carton
Content amount	10 ST
EAN	4024941969703
Length	245 mm
Width	177 mm
Height	185 mm
Weight	2.313 kg
Volume	7,140 ccm



Ampere	16	32							
Polzahl	7	7							
a ø	65,0	72,0							
b	97,0	117,0							
c	152,0	181,0							
d	116,0	135,5							
e ø	21,0	27,0							
Leiter mm ² min	1	2,5							
Leiter mm ² max	2,5	6							