

plug - with screwless terminals, for harsh applications



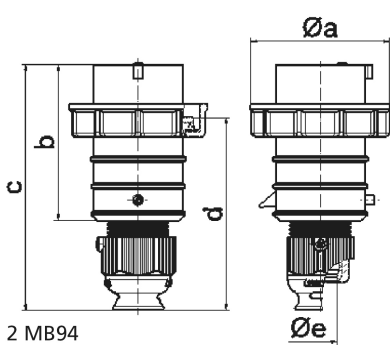
Product description	
BALS-Prd.-Nr	21486
EAN	4024941214865
product group	Quick-Connect TE plug
current	32A
number of poles	3p
Arrangement of the phases	2P+PE
position of earth contact	7 h
voltage (V)	480 up to 500V
frequency	50 and 60Hz

Product description	
protection degree	IP67
colour code	black RAL 9005
Colour of appliance	Collar black, Bayonet ring grey, Cable gland grey, Housing cover black
connection design	screwless spring-clamp
maximum conductor size (LQ)	6,0 qmm
cable entry (KE)	Cable gland
Height	180mm
Width	94mm
Depth	94mm
material of enclosure	Polyamide
contact	The contact carrier is made of high temperature resistant material, the contacts are brass nickel plated

Additional technical information	
	For cable diameter from 11 up to max. 23,5 mm, Multi-Grip cable gland with gasket, integrated cable clamp and additional water evacuation openings

Logistics data	
Weight/pcs	0.29 kg / Piece
Packaging	Carton
Content amount	10 ST
EAN	4024941831970

Logistics data	
Length	325 mm
Width	217 mm
Height	210 mm
Weight	3.106 kg
Volume	13,588.4 ccm



2 MB94

Ampere	16	16	16	32	32	32
Polzahl	3	4	5	3	4	5
a ø	70,0	78,0	86,0	94,0	94,0	101,0
b	95,0	95,0	97,0	118,0	118,0	117,0
c	145,0	145,0	152,0	178,0	178,0	181,0
d	111,0	111,0	119,0	136,0	136,0	138,5
e ø	18,0	18,0	21,0	23,0	23,0	27,0
Leiter mm² min	1	1	1	2,5	2,5	2,5
Leiter mm² max	2,5	2,5	2,5	6	6	6