

with cable gland, with closure cap

Abbildung ähnlich - similar picture



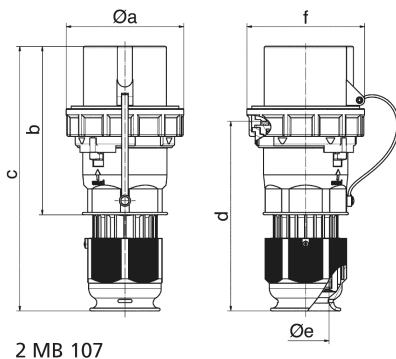
| Product description | |
|---------------------------|----------------------|
| BALS-Prd.-Nr | 21430 |
| EAN | 4024941214308 |
| product group | TN plug |
| current | 63A |
| number of poles | 5p |
| Arrangement of the phases | 3p+N+PE |
| position of earth contact | 2 h |
| voltage (V) | > 50V |
| frequency | over 300 up to 500Hz |

| Product description | |
|-----------------------------|--|
| VG-Type-No.: | VG 96919 CP 012 |
| protection degree | IP67 |
| colour code | bronze-green RAL 6031-F9 |
| Colour of appliance | Pusher black, Cable gland bronze-green, Bayonet ring bronze-green, Housing cover bronze-green, Collar bronze-green |
| connection design | box terminal |
| maximum conductor size (LQ) | 16,0 qmm |
| cable entry (KE) | Cable gland |
| Height | 244mm |
| Width | 113.5mm |
| Depth | 115mm |
| material of enclosure | Polyamide |
| contact | The contact carrier is made of high temperature resistant material, the contacts are brass nickel plated |

| Additional technical information | |
|----------------------------------|--|
| | For cable diameter from 16 up to max. 36 mm, Multi-Grip cable gland with gasket, integrated cable clamp and additional water evacuation openings |
| | With closure cap |

| Logistics data | |
|----------------|------------------|
| Weight/pcs | 0.805 kg / Piece |
| Packaging | Bag |

| Logistics data | |
|----------------|---------------|
| Content amount | 1 ST |
| EAN | 4024941214308 |
| Length | 115 mm |
| Width | 113.5 mm |
| Height | 244 mm |
| Weight | 0.806 kg |
| Volume | 3,184.81 ccm |
| Packaging | Carton |
| Content amount | 5 ST |
| EAN | 4024941839211 |
| Length | 325 mm |
| Width | 217 mm |
| Height | 210 mm |
| Weight | 4.231 kg |
| Volume | 13,588.4 ccm |



2 MB 107

| Ampere | 63 | 63 | 63 | 125 | 125 | 125 |
|----------------|-------|-------|-------|-------|-------|-------|
| Polzahl | 3 | 4 | 5 | 3 | 4 | 5 |
| a ø | 113,5 | 113,5 | 113,5 | 126,0 | 126,0 | 126,0 |
| b | 169,0 | 169,0 | 169,0 | 185,0 | 185,0 | 185,0 |
| c | 250,0 | 250,0 | 250,0 | 286,0 | 286,0 | 286,0 |
| d | 177,0 | 177,0 | 177,0 | 206,0 | 206,0 | 206,0 |
| e ø | 36,0 | 36,0 | 36,0 | 50,0 | 50,0 | 50,0 |
| f | 112,5 | 112,5 | 112,5 | 125,0 | 125,0 | 125,0 |
| Leiter mm² min | 6,0 | 6,0 | 6,0 | 16,0 | 16,0 | 16,0 |
| Leiter mm² max | 25,0 | 25,0 | 25,0 | 50,0 | 50,0 | 50,0 |
| | | | | | | |
| | | | | | | |
| | | | | | | |