

## plug - with screwless terminals



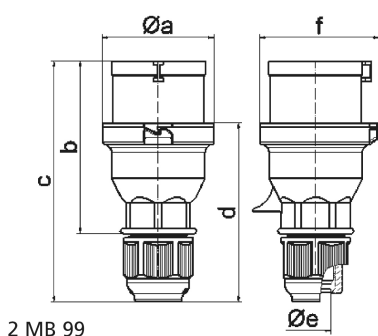
Product description	
BALS-Prd.-Nr	2142
EAN	4024941021425
product group	Quick-Connect plug
current	32A
number of poles	4p
Arrangement of the phases	3P+PE
position of earth contact	6 h
voltage (V)	380 up to 415V
frequency	50 and 60Hz

Product description	
protection degree	IP44
colour code	red RAL 3000
Colour of appliance	Housing cover red, Collar red, Cable gland grey
connection design	screwless spring-clamp
maximum conductor size (LQ)	6,0 qmm
cable entry (KE)	Cable gland
Height	176mm
Width	79mm
Depth	83mm
material of enclosure	Polyamide
contact	The contact carrier is made of polyamide, The contacts are brass

Additional technical information	
	Multi-Grip cable gland with gasket and integrated strain relief, Screwless housing connection with snap fastening, For cable diameter from 11 up to max. 23,5 mm

Logistics data	
Weight/pcs	0.26 kg / Piece
Packaging	Bag
Content amount	1 ST
EAN	4024941021425

Logistics data	
Length	83 mm
Width	79 mm
Height	176 mm
Weight	0.261 kg
Volume	1,154.032 ccm
Packaging	Carton
Content amount	10 ST
EAN	4024941958059
Length	295 mm
Width	185 mm
Height	215 mm
Weight	2.764 kg
Volume	9,975 ccm



Ampere	16	16	16	32	32	32
Polzahl	3	4	5	3	4	5
a ø	53,0	60,0	66,0	74,5	74,5	74,5
b	93,5	100,5	103,0	121,0	121,0	121,5
c	134,0	141,0	142,0	174,0	174,0	174,5
d	97,5	104,5	105,5	128,0	128,0	128,5
e ø	18,0	18,0	18,0	23,0	23,0	23,0
f	57,5	64,5	70,5	78,0	78,0	80,0
Leiter mm <sup>2</sup> min	1	1	1	2,5	2,5	2,5
Leiter mm <sup>2</sup> max	2,5	2,5	2,5	6	6	6