

with cable gland, with closure cap



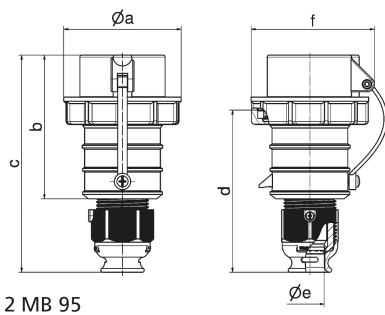
Product description	
BALS-Prd.-Nr	21423
EAN	4024941214230
product group	Quick-Connect TN plug
current	16A
number of poles	5p
Arrangement of the phases	3p+N+PE
position of earth contact	9 h
voltage (V)	120/208 up to 144/250V
frequency	50 and 60Hz

Product description	
VG-Type-No.:	VG 96919 CP 002
protection degree	IP67
colour code	bronze-green RAL 6031-F9
Colour of appliance	Cable gland bronze-green, Bayonet ring bronze-green, Housing cover bronze-green, Collar bronze-green, Closure cap bronze-green
connection design	screwless spring-clamp
maximum conductor size (LQ)	2,5 qmm
cable entry (KE)	Cable gland
Height	161mm
Width	86.5mm
Depth	91mm
material of enclosure	Polyamide
contact	The contact carrier is made of high temperature resistant material, the contacts are brass nickel plated

Additional technical information	
	For cable diameter from 10 up to max. 21 mm, Multi-Grip cable gland with gasket, integrated cable clamp and additional water evacuation openings
	With closure cap

Logistics data	
Weight/pcs	0.265 kg / Piece
Packaging	Carton

Logistics data	
Content amount	10 ST
EAN	4024941838917
Length	258 mm
Width	183 mm
Height	212 mm
Weight	2.802 kg
Volume	8,750 ccm



Ampere	16	16	16	32	32	32
Polzahl	3	4	5	3	4	5
a ø	70,0	78,0	86,0	94,0	94,0	101,0
b	103,5	104,0	105,5	127,0	127,0	129,5
c	153,5	154,0	160,5	187,0	187,0	193,5
d	111,0	111,0	119,0	136,0	136,0	138,5
e ø	18,0	18,0	21,0	23,5	23,5	27,0
f	75,5	82,5	91,0	96,5	96,5	104,5
Leiter mm ² min	1,0	1,0	1,0	2,5	2,5	2,5
Leiter mm ² max	2,5	2,5	2,5	6,0	6,0	6,0