

plug - with screwless terminals, for harsh applications



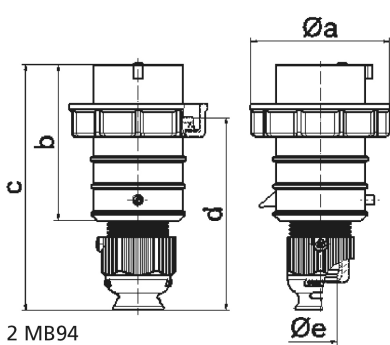
| Product description | |
|---------------------------|-----------------------|
| BALS-Prd.-Nr | 21412 |
| EAN | 4024941214124 |
| product group | Quick-Connect TE plug |
| current | 32A |
| number of poles | 4p |
| Arrangement of the phases | 3P+PE |
| position of earth contact | 2 h |
| voltage (V) | > 50V |
| frequency | over 300 up to 500Hz |

| Product description | |
|-----------------------------|--|
| protection degree | IP67 |
| colour code | green RAL 6002 |
| Colour of appliance | Bayonet ring grey, Cable gland grey, Housing cover green, Collar green |
| connection design | screwless spring-clamp |
| maximum conductor size (LQ) | 6,0 qmm |
| cable entry (KE) | Cable gland |
| Height | 180mm |
| Width | 94mm |
| Depth | 94mm |
| material of enclosure | Polyamide |
| contact | The contact carrier is made of high temperature resistant material, the contacts are brass nickel plated |

| Additional technical information | |
|----------------------------------|--|
| | For cable diameter from 11 up to max. 23,5 mm, Multi-Grip cable gland with gasket, integrated cable clamp and additional water evacuation openings |

| Logistics data | |
|----------------|-----------------|
| Weight/pcs | 0.31 kg / Piece |
| Packaging | Carton |
| Content amount | 10 ST |
| EAN | 4024941832069 |

| Logistics data | |
|----------------|--------------|
| Length | 325 mm |
| Width | 217 mm |
| Height | 210 mm |
| Weight | 3.306 kg |
| Volume | 13,588.4 ccm |



2 MB94

| Ampere | 16 | 16 | 16 | 32 | 32 | 32 |
|----------------|-------|-------|-------|-------|-------|-------|
| Polzahl | 3 | 4 | 5 | 3 | 4 | 5 |
| a ø | 70,0 | 78,0 | 86,0 | 94,0 | 94,0 | 101,0 |
| b | 95,0 | 95,0 | 97,0 | 118,0 | 118,0 | 117,0 |
| c | 145,0 | 145,0 | 152,0 | 178,0 | 178,0 | 181,0 |
| d | 111,0 | 111,0 | 119,0 | 136,0 | 136,0 | 138,5 |
| e ø | 18,0 | 18,0 | 21,0 | 23,0 | 23,0 | 27,0 |
| Leiter mm² min | 1 | 1 | 1 | 2,5 | 2,5 | 2,5 |
| Leiter mm² max | 2,5 | 2,5 | 2,5 | 6 | 6 | 6 |
| | | | | | | |
| | | | | | | |
| | | | | | | |
| | | | | | | |