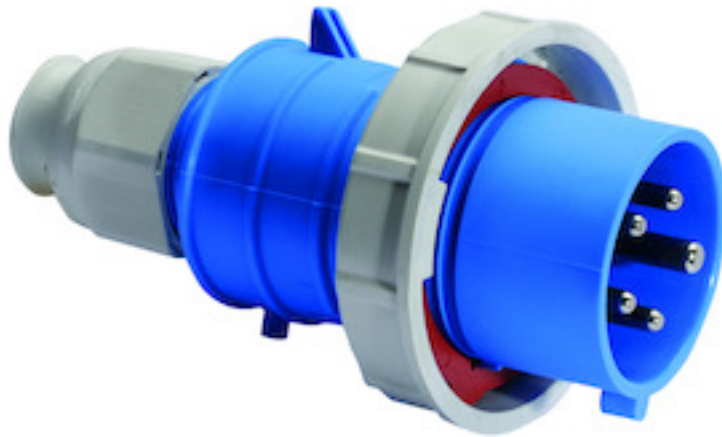


plug - with screwless terminals, for harsh applications



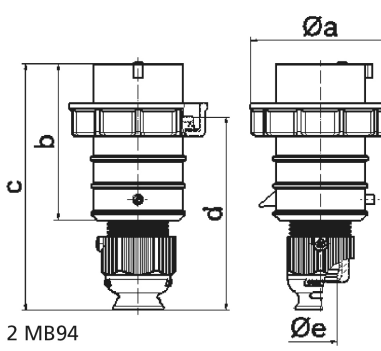
Product description	
BALS-Prd.-Nr	21407
EAN	4024941214070
product group	Quick-Connect TE plug
current	16A
number of poles	5p
Arrangement of the phases	3p+N+PE
position of earth contact	9 h
voltage (V)	120/208 up to 144/250V
frequency	50 and 60Hz

Product description	
protection degree	IP67
colour code	blue RAL 5015
Colour of appliance	Collar blue, Bayonet ring grey, Cable gland grey, Housing cover blue
connection design	screwless spring-clamp
maximum conductor size (LQ)	2,5 qmm
cable entry (KE)	Cable gland
Height	154mm
Width	87mm
Depth	87mm
material of enclosure	Polyamide
contact	The contact carrier is made of high temperature resistant material, the contacts are brass nickel plated

Additional technical information	
	For cable diameter from 10 up to max. 21 mm, Multi-Grip cable gland with gasket, integrated cable clamp and additional water evacuation openings

Logistics data	
Weight/pcs	0.214 kg / Piece
Packaging	Bag
Content amount	1 ST
EAN	4024941214070

Logistics data	
Length	87 mm
Width	87 mm
Height	154 mm
Weight	0.215 kg
Volume	1,165.626 ccm
Packaging	Carton
Content amount	10 ST
EAN	4024941831918
Length	258 mm
Width	183 mm
Height	212 mm
Weight	2.292 kg
Volume	8,750 ccm



Ampere Polzahl	16 3	16 4	16 5	32 3	32 4	32 5
a ø	70,0	78,0	86,0	94,0	94,0	101,0
b	95,0	95,0	97,0	118,0	118,0	117,0
c	145,0	145,0	152,0	178,0	178,0	181,0
d	111,0	111,0	119,0	136,0	136,0	138,5
e ø	18,0	18,0	21,0	23,0	23,0	27,0
Leiter mm² min	1	1	1	2,5	2,5	2,5
Leiter mm² max	2,5	2,5	2,5	6	6	6

2 MB94