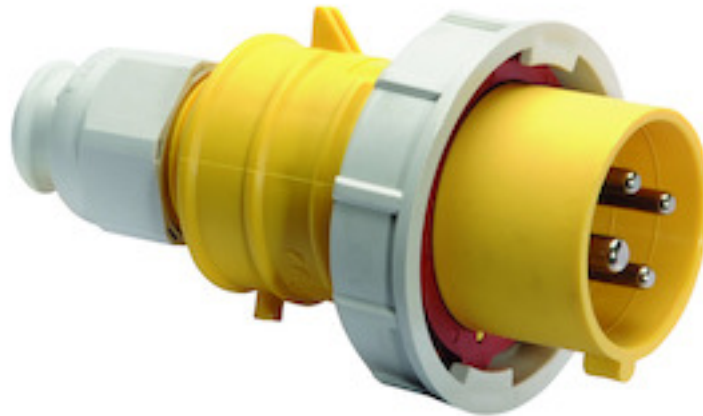


## plug - with screwless terminals, for harsh applications



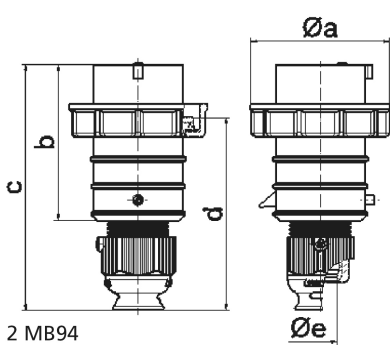
Product description	
BALS-Prd.-Nr	21403
EAN	4024941214032
product group	Quick-Connect TE plug
current	16A
number of poles	4p
Arrangement of the phases	3P+PE
position of earth contact	4 h
voltage (V)	100 up to 130V
frequency	50 and 60Hz

Product description	
protection degree	IP67
colour code	yellow RAL 1012
Colour of appliance	Collar yellow, Bayonet ring grey, Cable gland grey, Housing cover yellow
connection design	screwless spring-clamp
maximum conductor size (LQ)	2,5 qmm
cable entry (KE)	Cable gland
Height	146mm
Width	79mm
Depth	79mm
material of enclosure	Polyamide
contact	The contact carrier is made of high temperature resistant material, the contacts are brass nickel plated

Additional technical information	
	For cable diameter from 8 up to max. 18 mm, Multi-Grip cable gland with gasket, integrated cable clamp and additional water evacuation openings

Logistics data	
Weight/pcs	0.172 kg / Piece
Packaging	Carton
Content amount	10 ST
EAN	4024941831864

Logistics data	
Length	245 mm
Width	177 mm
Height	185 mm
Weight	1.853 kg
Volume	7,140 ccm



Ampere Polzahl	16 3	16 4	16 5	32 3	32 4	32 5
a ø	70,0	78,0	86,0	94,0	94,0	101,0
b	95,0	95,0	97,0	118,0	118,0	117,0
c	145,0	145,0	152,0	178,0	178,0	181,0
d	111,0	111,0	119,0	136,0	136,0	138,5
e ø	18,0	18,0	21,0	23,0	23,0	27,0
Leiter mm² min	1	1	1	2,5	2,5	2,5
Leiter mm² max	2,5	2,5	2,5	6	6	6