

plug - with screwless terminals



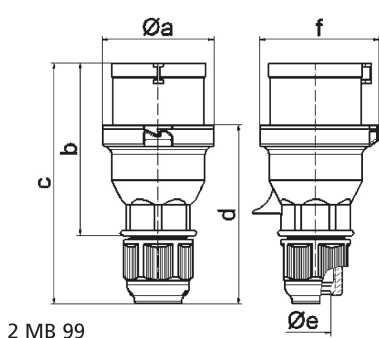
Product description	
BALS-Prd.-Nr	2138
EAN	4024941021388
Product category	QUICK-CONNECT plug
Current	32A
Number of poles	3p
Number of poles	2P+PE
Position of earth contact	6 h
Voltage	200 up to 250V
Frequency	50 and 60Hz

Product description	
Protection degree	IP44
Colour code	blue RAL 5015
Colour of appliance	Collar blue RAL 5015, Cable gland grey RAL 7035, Housing cover blue RAL 5015
Connection design	screwless spring-clamp technol
Maximum conductor size	6,0 qmm
Cable entry	Cable gland
Height	176mm
Width	79mm
Depth	83mm
Material of enclosure	Polyamide
Contact	The contact carrier is made of polyamide, The contacts are brass

Additional technical information	
	Multi-Grip cable gland with gasket and integrated strain relief, Screwless housing connection with snap fastening, For cable diameter from 11 up to max. 23,5 mm

Logistics data	
Weight/pcs	0.242 kg / Piece
Packaging	Bag
Content amount	1 ST
EAN	4024941021388

Logistics data	
Length	83 mm
Width	79 mm
Height	176 mm
Weight	0.243 kg
Volume	1,154.032 ccm
Packaging	Carton
Content amount	10 ST
EAN	4024941958035
Length	295 mm
Width	185 mm
Height	215 mm
Weight	2.584 kg
Volume	9,975 ccm



Ampere	16	16	16	32	32	32
Polzahl	3	4	5	3	4	5
a ø	53,0	60,0	66,0	74,5	74,5	74,5
b	93,5	100,5	103,0	121,0	121,0	121,5
c	134,0	141,0	142,0	174,0	174,0	174,5
d	97,5	104,5	105,5	128,0	128,0	128,5
e ø	18,0	18,0	18,0	23,0	23,0	23,0
f	57,5	64,5	70,5	78,0	78,0	80,0
Leiter mm ² min	1	1	1	2,5	2,5	2,5
Leiter mm ² max	2,5	2,5	2,5	6	6	6