

plug - with screwless terminals



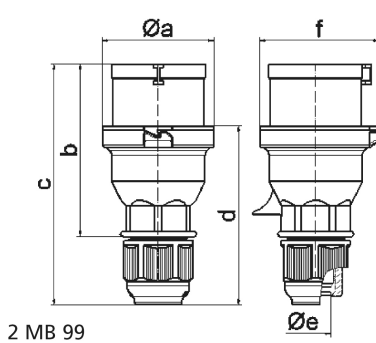
| Product description | |
|---------------------------|------------------------|
| BALS-Prd.-Nr | 2135 |
| EAN | 4024941021357 |
| product group | Quick-Connect plug |
| current | 16A |
| number of poles | 5p |
| Arrangement of the phases | 3p+N+PE |
| position of earth contact | 9 h |
| voltage (V) | 120/208 up to 144/250V |
| frequency | 50 and 60Hz |

| Product description | |
|-----------------------------|---|
| protection degree | IP44 |
| colour code | blue RAL 5015 |
| Colour of appliance | Collar blue, Housing cover grey, Cable gland grey |
| connection design | screwless spring-clamp technol |
| maximum conductor size (LQ) | 2,5 qmm |
| cable entry (KE) | Cable gland |
| Height | 147mm |
| Width | 71mm |
| Depth | 75mm |
| material of enclosure | Polyamide |
| contact | The contacts are brass |

| Additional technical information | |
|----------------------------------|---|
| | Multi-Grip cable gland with gasket and integrated strain relief, Screwless housing connection with snap fastening, For cable diameter from 8 up to max. 18 mm |

| Logistics data | |
|----------------|-----------------|
| Weight/pcs | 0.15 kg / Piece |
| Packaging | Bag |
| Content amount | 1 ST |
| EAN | 4024941021357 |
| Length | 75 mm |

| Logistics data | |
|----------------|---------------|
| Width | 71 mm |
| Height | 147 mm |
| Weight | 0.151 kg |
| Volume | 782.775 ccm |
| Packaging | Carton |
| Content amount | 10 ST |
| EAN | 4024941828697 |
| Length | 275 mm |
| Width | 175 mm |
| Height | 137 mm |
| Weight | 1.625 kg |
| Volume | 5,737.5 ccm |



| Ampere | 16 | 16 | 16 | 32 | 32 | 32 |
|----------------------------|-------|-------|-------|-------|-------|-------|
| Polzahl | 3 | 4 | 5 | 3 | 4 | 5 |
| a ø | 53,0 | 60,0 | 66,0 | 74,5 | 74,5 | 74,5 |
| b | 93,5 | 100,5 | 103,0 | 121,0 | 121,0 | 121,5 |
| c | 134,0 | 141,0 | 142,0 | 174,0 | 174,0 | 174,5 |
| d | 97,5 | 104,5 | 105,5 | 128,0 | 128,0 | 128,5 |
| e ø | 18,0 | 18,0 | 18,0 | 23,0 | 23,0 | 23,0 |
| f | 57,5 | 64,5 | 70,5 | 78,0 | 78,0 | 80,0 |
| Leiter mm ² min | 1 | 1 | 1 | 2,5 | 2,5 | 2,5 |
| Leiter mm ² max | 2,5 | 2,5 | 2,5 | 6 | 6 | 6 |
| | | | | | | |
| | | | | | | |
| | | | | | | |