

plug - with screwless terminals



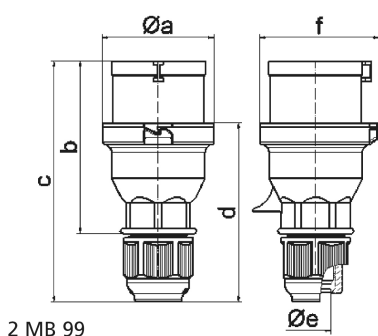
Product description	
BALS-Prd.-Nr	2130
EAN	4024941021302
product group	Quick-Connect plug
current	16A
number of poles	4p
Arrangement of the phases	3P+PE
position of earth contact	6 h
voltage (V)	380 up to 415V
frequency	50 and 60Hz

Product description	
protection degree	IP44
colour code	red RAL 3000
Colour of appliance	Housing cover red, Collar red, Cable gland grey
connection design	screwless spring-clamp technol
maximum conductor size (LQ)	2,5 qmm
cable entry (KE)	Cable gland
Height	146mm
Width	60mm
Depth	65mm
material of enclosure	Polyamide
contact	The contact carrier is made of polyamide, The contacts are brass

Additional technical information	
	Multi-Grip cable gland with gasket and integrated strain relief, Screwless housing connection with snap fastening, For cable diameter from 8 up to max. 18 mm

Logistics data	
Weight/pcs	0.146 kg / Piece
Packaging	Bag
Content amount	1 ST
EAN	4024941021302

Logistics data	
Length	65 mm
Width	60 mm
Height	146 mm
Weight	0.147 kg
Volume	569.4 ccm
Packaging	Carton
Content amount	10 ST
EAN	4024941958042
Length	275 mm
Width	175 mm
Height	137 mm
Weight	1.585 kg
Volume	5,737.5 ccm



Ampere	16	16	16	32	32	32
Polzahl	3	4	5	3	4	5
a ø	53,0	60,0	66,0	74,5	74,5	74,5
b	93,5	100,5	103,0	121,0	121,0	121,5
c	134,0	141,0	142,0	174,0	174,0	174,5
d	97,5	104,5	105,5	128,0	128,0	128,5
e ø	18,0	18,0	18,0	23,0	23,0	23,0
f	57,5	64,5	70,5	78,0	78,0	80,0
Leiter mm ² min	1	1	1	2,5	2,5	2,5
Leiter mm ² max	2,5	2,5	2,5	6	6	6