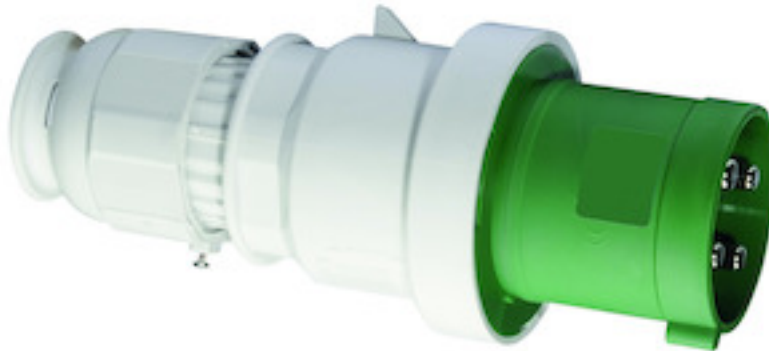


plug - with TE screw terminals, for harsh applications



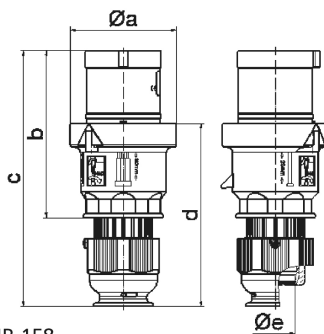
Product description	
BALS-Prd.-Nr	21300
EAN	4024941213004
product group	TE plug
current	63A
number of poles	4p
Arrangement of the phases	3P+PE
position of earth contact	10 h
voltage (V)	> 50V
frequency	100 up to 300Hz

Product description	
protection degree	IP44
colour code	green RAL 6002
Colour of appliance	Pusher grey, Housing cover grey, Cable gland grey, Collar green
connection design	box terminal
maximum conductor size (LQ)	16,0 qmm
cable entry (KE)	Cable gland
Height	234mm
Width	97mm
Depth	98mm
material of enclosure	Polyamide
contact	The contact carrier is made of high temperature resistant material, the contacts are brass nickel plated

Additional technical information	
	For cable diameter from 16 up to max. 36 mm, Screwless housing connection, Multi-Grip cable gland with gasket, integrated cable clamp and additional water evacuation openings

Logistics data	
Weight/pcs	0.62 kg / Piece
Packaging	Carton
Content amount	5 ST
EAN	4024941831826

Logistics data	
Length	325 mm
Width	217 mm
Height	210 mm
Weight	3.302 kg
Volume	13,588.4 ccm



2 MB 158

Ampere	63	63	63				
Polzahl	3	4	5				
a ø	96,0	96,0	96,0				
b	153,0	153,0	153,0				
c	233,0	233,0	233,0				
d	167,0	167,0	167,0				
e ø	36,0	36,0	36,0				
Leiter mm ² min	6	6	6				
Leiter mm ² max	16	16	16				