

## plug - with screwless terminals, for harsh applications



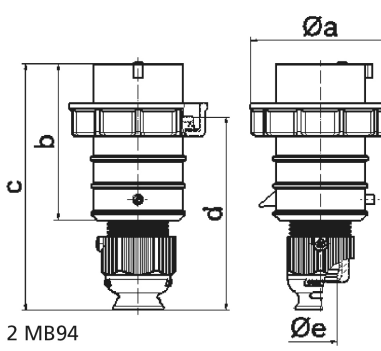
Product description	
BALS-Prd.-Nr	21282
EAN	4024941212823
product group	Quick-Connect TE plug
current	32A
number of poles	5p
Arrangement of the phases	3p+N+PE
position of earth contact	7 h
voltage (V)	277/480 up to 288/500V
frequency	50 and 60Hz

Product description	
protection degree	IP67
colour code	black RAL 9005
Colour of appliance	Collar black, Bayonet ring grey, Cable gland grey, Housing cover black
connection design	screwless spring-clamp
maximum conductor size (LQ)	6,0 qmm
cable entry (KE)	Cable gland
Height	182mm
Width	102mm
Depth	102mm
material of enclosure	Polyamide
contact	The contact carrier is made of high temperature resistant material, the contacts are brass nickel plated

Additional technical information	
	For cable diameter from 13 up to max. 27 mm, Multi-Grip cable gland with gasket, integrated cable clamp and additional water evacuation openings

Logistics data	
Weight/pcs	0.346 kg / Piece
Packaging	Bag
Content amount	1 ST
EAN	4024941212823

Logistics data	
Length	102 mm
Width	102 mm
Height	182 mm
Weight	0.347 kg
Volume	1,893.528 ccm
Packaging	Carton
Content amount	10 ST
EAN	4024941821988
Length	330 mm
Width	216 mm
Height	260 mm
Weight	3.686 kg
Volume	17,062.5 ccm



Ampere Polzahl	16 3	16 4	16 5	32 3	32 4	32 5
a ø	70,0	78,0	86,0	94,0	94,0	101,0
b	95,0	95,0	97,0	118,0	118,0	117,0
c	145,0	145,0	152,0	178,0	178,0	181,0
d	111,0	111,0	119,0	136,0	136,0	138,5
e ø	18,0	18,0	21,0	23,0	23,0	27,0
Leiter mm² min	1	1	1	2,5	2,5	2,5
Leiter mm² max	2,5	2,5	2,5	6	6	6

2 MB94