

with cable gland, with closure cap

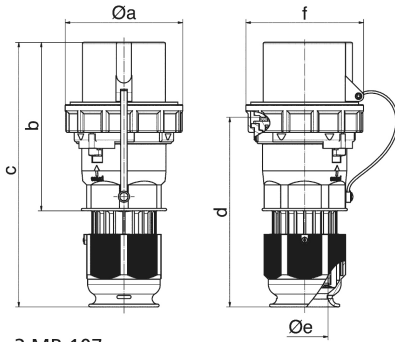


| Product description       |                        |
|---------------------------|------------------------|
| BALS-Prd.-Nr              | 21210                  |
| EAN                       | 4024941212106          |
| Product category          | TN plug                |
| Current                   | 63A                    |
| Number of poles           | 5p                     |
| Number of poles           | 3p+N+PE                |
| Position of earth contact | 6 h                    |
| Voltage                   | 200/346 up to 240/415V |
| Frequency                 | 50 and 60Hz            |

| Product description    |   |
|------------------------|---|
| VG-Type-No.:           | VG 96919 CP 009   |
| Supplynumber:          | 5935-12-300-5325  |
| Protection degree      | IP67  |
| Colour code            | bronze-green RAL 6031-F9  |
| Colour of appliance    | Pusher black RAL 9005, Cable gland bronze-green RAL 6031-F9, Bayonet ring bronze-green RAL 6031-F9, Housing cover bronze-green RAL 6031-F9, Collar bronze-green RAL 6031-F9 |
| Connection design      | box terminal  |
| Maximum conductor size | 16,0 qmm  |
| Cable entry            | Cable gland   |
| Height                 | 244mm   |
| Width                  | 113.5mm   |
| Depth                  | 115mm   |
| Material of enclosure  | Polyamide   |
| Contact                | The contact carrier is made of high temperature resistant material, the contacts are brass nickel plated  |

| Additional technical information |  |
|----------------------------------|--|
|                                  | For cable diameter from 16 up to max. 36 mm, Multi-Grip cable gland with gasket, integrated cable clamp and additional water evacuation openings |
|                                  | With closure cap   |

| Logistics data |                  |
|----------------|------------------|
| Weight/pcs     | 0.815 kg / Piece |
| Packaging      | Bag              |
| Content amount | 1 ST             |
| EAN            | 4024941212106    |
| Length         | 115 mm           |
| Width          | 113.5 mm         |
| Height         | 244 mm           |
| Weight         | 0.816 kg         |
| Volume         | 3,184.81 ccm     |
| Packaging      | Carton           |
| Content amount | 5 ST             |
| EAN            | 4024941946551    |
| Length         | 325 mm           |
| Width          | 217 mm           |
| Height         | 210 mm           |
| Weight         | 4.281 kg         |
| Volume         | 13,588.4 ccm     |



2 MB 107

| Ampere Polzahl             | 63<br>3 | 63<br>4 | 63<br>5 | 125<br>3 | 125<br>4 | 125<br>5 |
|----------------------------|---------|---------|---------|----------|----------|----------|
| a ø                        | 113,5   | 113,5   | 113,5   | 126,0    | 126,0    | 126,0    |
| b                          | 169,0   | 169,0   | 169,0   | 185,0    | 185,0    | 185,0    |
| c                          | 250,0   | 250,0   | 250,0   | 286,0    | 286,0    | 286,0    |
| d                          | 177,0   | 177,0   | 177,0   | 206,0    | 206,0    | 206,0    |
| e ø                        | 36,0    | 36,0    | 36,0    | 50,0     | 50,0     | 50,0     |
| f                          | 112,5   | 112,5   | 112,5   | 125,0    | 125,0    | 125,0    |
| Leiter mm <sup>2</sup> min | 6,0     | 6,0     | 6,0     | 16,0     | 16,0     | 16,0     |
| Leiter mm <sup>2</sup> max | 25,0    | 25,0    | 25,0    | 50,0     | 50,0     | 50,0     |
|                            |         |         |         |          |          |          |
|                            |         |         |         |          |          |          |
|                            |         |         |         |          |          |          |