

## plug - with TE screw terminals, for harsh applications



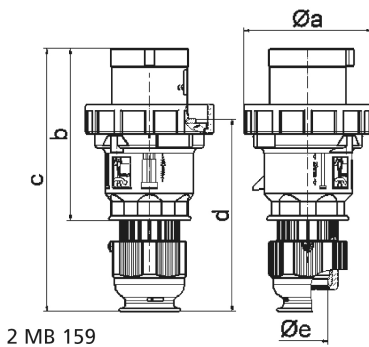
Product description	
BALS-Prd.-Nr	21163
EAN	4024941211635
product group	TE plug
current	63A
number of poles	5p
Arrangement of the phases	3p+N+PE
position of earth contact	2 h
voltage (V)	> 50V
frequency	over 300 up to 500Hz

Product description	
protection degree	IP67
colour code	green RAL 6002
Colour of appliance	Pusher grey, Bayonet ring grey, Housing cover grey, Cable gland grey, Collar green
connection design	box terminal
maximum conductor size (LQ)	16,0 qmm
cable entry (KE)	Cable gland
Height	234mm
Width	114mm
Depth	114mm
material of enclosure	Polyamide
contact	The contact carrier is made of high temperature resistant material, the contacts are brass nickel plated

Additional technical information	
	For cable diameter from 16 up to max. 36 mm, Screwless housing connection, Multi-Grip cable gland with gasket, integrated cable clamp and additional water evacuation openings

Logistics data	
Weight/pcs	0.713 kg / Piece
Packaging	Bag
Content amount	1 ST
EAN	4024941211635

Logistics data	
Length	116 mm
Width	116 mm
Height	234 mm
Weight	0.714 kg
Volume	3,148.704 ccm
Packaging	Carton
Content amount	5 ST
EAN	4024941946582
Length	325 mm
Width	217 mm
Height	210 mm
Weight	3.771 kg
Volume	13,588.4 ccm



Ampere	63	63	63			
Polzahl	3	4	5			
a ø	113,5	113,5	113,5			
b	153,0	153,0	153,0			
c	233,0	233,0	233,0			
d	171,0	171,0	171,0			
e ø	36,0	36,0	36,0			
Leiter mm² min	6	6	6			
Leiter mm² max	16	16	16			