

plug - with TE screw terminals, for harsh applications



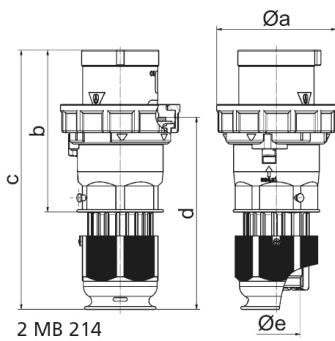
Product description	
BALS-Prd.-Nr	21156
EAN	4024941211567
product group	TE plug
current	125A
number of poles	5p
Arrangement of the phases	3p+N+PE
position of earth contact	2 h
voltage (V)	> 50V
frequency	over 300 up to 500Hz

Product description	
protection degree	IP67
colour code	green RAL 6002
Colour of appliance	Pusher grey, Bayonet ring grey, Housing cover grey, Cable gland grey, Collar green
connection design	box terminal
maximum conductor size (LQ)	50.0 qmm
cable entry (KE)	Cable gland
Height	273mm
Width	126mm
Depth	126mm
material of enclosure	Polyamide
contact	The contact carrier is made of high temperature resistant material, the contacts are brass nickel plated

Additional technical information	
	For cable diameter from 26 up to max. 50 mm, Multi-Grip cable gland with gasket, integrated cable clamp and additional water evacuation openings

Logistics data	
Weight/pcs	1.235 kg / Piece
Packaging	Carton
Content amount	5 ST
EAN	4024941832403

Logistics data	
Length	345 mm
Width	345 mm
Height	217 mm
Weight	6.51 kg
Volume	24,276 ccm



Ampere	125	125	125				
Polzahl	3	4	5				
a ø	126,0	126,0	126,0				
b	181,0	181,0	181,0				
c	282,0	282,0	282,0				
d	206,0	206,0	206,0				
e ø	50,0	50,0	50,0				
Leiter mm <sup>2</sup> min	16	16	16				
Leiter mm <sup>2</sup> max	50	50	50				