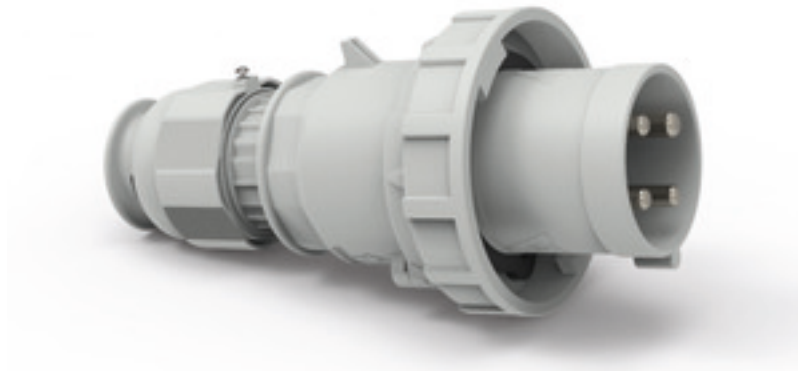


plug - with TE screw terminals, for harsh applications



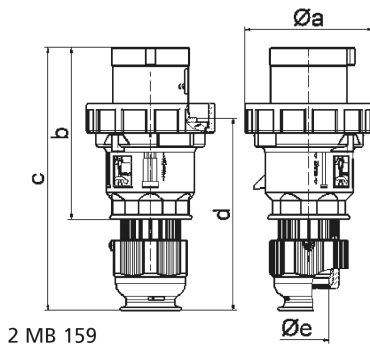
Product description	
BALS-Prd.-Nr	21154
EAN	4024941211543
Product category	TE plug
Current	63A
Number of poles	4p
Number of poles	3P+PE
Position of earth contact	10 h
Voltage	> 50V
Frequency	100 up to 300Hz

Product description	
Protection degree	IP67
Colour code	green RAL 6002
Colour of appliance	Pusher grey RAL 7035, Bayonet ring grey RAL 7035, Housing cover grey RAL 7035, Cable gland grey RAL 7035, Collar green RAL 6002
Connection design	box terminal
Maximum conductor size	16,0 qmm
Cable entry	Cable gland
Height	234mm
Width	114mm
Depth	114mm
Material of enclosure	Polyamide
Contact	The contact carrier is made of high temperature resistant material, the contacts are brass nickel plated

Additional technical information	
	For cable diameter from 16 up to max. 36 mm, Screwless housing connection, Multi-Grip cable gland with gasket, integrated cable clamp and additional water evacuation openings

Logistics data	
Weight/pcs	0.68 kg / Piece
Packaging	Carton
Content amount	5 ST

Logistics data	
EAN	4024941832250
Length	325 mm
Width	217 mm
Height	210 mm
Weight	3.602 kg
Volume	13,588.4 ccm



Ampere	63	63	63			
Polzahl	3	4	5			
a ø	113,5	113,5	113,5			
b	153,0	153,0	153,0			
c	233,0	233,0	233,0			
d	171,0	171,0	171,0			
e ø	36,0	36,0	36,0			
Leiter mm ² min	6	6	6			
Leiter mm ² max	16	16	16			

