

plug - with screwless terminals, for harsh applications

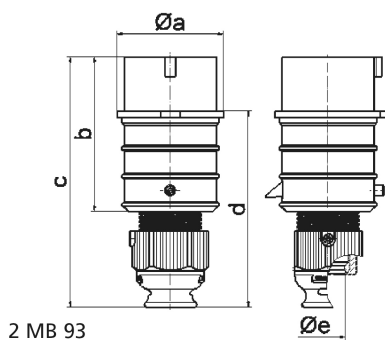


Product description	
BALS-Prd.-Nr	210962
EAN	4024941208840
product group	Quick-Connect TE plug
current	32A
number of poles	4p
Arrangement of the phases	3P+PE
position of earth contact	5 h
voltage (V)	600 up to 690V
frequency	50 and 60Hz

Product description	
protection degree	IP44
colour code	black RAL 9005
Colour of appliance	Collar black, Cable gland grey, Housing cover black
connection design	screwless spring-clamp
maximum conductor size (LQ)	2,5 qmm
cable entry (KE)	Cable gland
Height	180mm
Width	66mm
Depth	79mm
material of enclosure	Polyamide
contact	The contact carrier is made of high temperature resistant material, the contacts are brass nickel plated

Logistics data	
Weight/pcs	0.243 kg / Piece
Packaging	Bag
Content amount	1 ST
EAN	4024941208840
Length	79 mm
Width	66 mm
Height	180 mm
Weight	0.244 kg

Logistics data	
Volume	938.52 ccm
Packaging	Carton
Content amount	10 ST
EAN	4024941838009
Length	258 mm
Width	183 mm
Height	212 mm
Weight	2.582 kg
Volume	8,750 ccm



Ampere	16	16	16	32	32	32
Polzahl	3	4	5	3	4	5
a ø	51,0	57,5	65,0	66,0	66,0	72,0
b	95,0	95,0	97,0	118,0	118,0	117,0
c	145,0	145,0	152,0	178,0	178,0	181,0
d	109,0	109,0	116,0	133,0	133,0	135,5
e ø	18,0	18,0	21,0	23,0	23,0	27,0
Leiter mm² min	1	1	1	2,5	2,5	2,5
Leiter mm² max	2,5	2,5	2,5	6	6	6