

plug - with screwless terminals, lockable



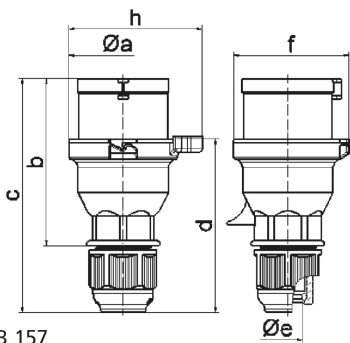
Product description	
BALS-Prd.-Nr	210951
EAN	4024941197434
product group	Quick-Connect plug
current	32A
number of poles	5p
Arrangement of the phases	3p+N+PE
position of earth contact	6 h
voltage (V)	200/346 up to 240/415V
frequency	50 and 60Hz

Product description	
protection degree	IP44
colour code	red RAL 3000
Colour of appliance	Housing cover red, Collar red, Cable gland grey
connection design	screwless spring-clamp
maximum conductor size (LQ)	6,0 qmm
cable entry (KE)	Cable gland
Height	178mm
Width	92mm
Depth	88mm
material of enclosure	Polyamide
contact	The contact carrier is made of polyamide, the contacts are brass nickel plated

Additional technical information	
	Multi-Grip cable gland with gasket and integrated strain relief, Screwless housing connection with snap fastening, The plug is lockable with the connector art.-no. 310635 and padlock art.no. 580642, For cable diameter from 11 up to max. 23,5 mm

Logistics data	
Weight/pcs	0.305 kg / Piece
Packaging	Carton
Content amount	10 ST
EAN	4024941832496

Logistics data	
Length	295 mm
Width	185 mm
Height	215 mm
Weight	3.214 kg
Volume	9,975 ccm



2 MB 157

Ampere	16	32					
Polzahl	5	5					
a	66,0	74,5					
b	103,0	121,5					
c	142,0	174,5					
d	105,5	128,5					
e ø	18,0	23,0					
f	70,5	80,0					
h	82,0	90,0					
Leiter mm ² min	1	2,5					
Leiter mm ² max	2,5	6					