

plug - with screwless terminals, lockable



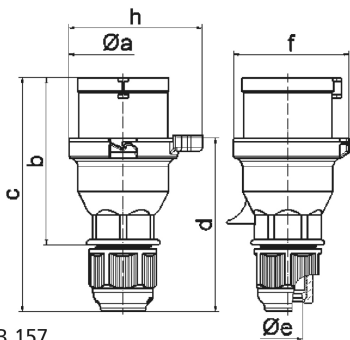
| Product description | |
|---------------------------|------------------------|
| BALS-Prd.-Nr | 210950 |
| EAN | 4024941197427 |
| product group | Quick-Connect plug |
| current | 16A |
| number of poles | 5p |
| Arrangement of the phases | 3p+N+PE |
| position of earth contact | 6 h |
| voltage (V) | 200/346 up to 240/415V |
| frequency | 50 and 60Hz |

| Product description | |
|-----------------------------|--|
| protection degree | IP44 |
| colour code | red RAL 3000 |
| Colour of appliance | Housing cover red, Collar red, Cable gland grey |
| connection design | screwless spring-clamp |
| maximum conductor size (LQ) | 2,5 qmm |
| cable entry (KE) | Cable gland |
| Height | 147mm |
| Width | 82mm |
| Depth | 75mm |
| material of enclosure | Polyamide |
| contact | The contact carrier is made of polyamide, the contacts are brass nickel plated |

| Additional technical information | |
|----------------------------------|---|
| | Multi-Grip cable gland with gasket and integrated strain relief, Screwless housing connection with snap fastening, The plug is lockable with the connector art.-no. 310634 and padlock art.no. 580642, For cable diameter from 8 up to max. 18 mm |

| Logistics data | |
|----------------|-----------------|
| Weight/pcs | 0.15 kg / Piece |
| Packaging | Bag |
| Content amount | 1 ST |
| EAN | 4024941197427 |

| Logistics data | |
|----------------|---------------|
| Length | 75 mm |
| Width | 82 mm |
| Height | 142 mm |
| Weight | 0.151 kg |
| Volume | 873.3 ccm |
| Packaging | Carton |
| Content amount | 10 ST |
| EAN | 4024941832489 |
| Length | 245 mm |
| Width | 177 mm |
| Height | 185 mm |
| Weight | 1.633 kg |
| Volume | 7,140 ccm |



2 MB 157

| Ampere | 16 | 32 | | | | | |
|----------------------------|-------|-------|--|--|--|--|--|
| Polzahl | 5 | 5 | | | | | |
| a | 66,0 | 74,5 | | | | | |
| b | 103,0 | 121,5 | | | | | |
| c | 142,0 | 174,5 | | | | | |
| d | 105,5 | 128,5 | | | | | |
| e ø | 18,0 | 23,0 | | | | | |
| f | 70,5 | 80,0 | | | | | |
| h | 82,0 | 90,0 | | | | | |
| Leiter mm ² min | 1 | 2,5 | | | | | |
| Leiter mm ² max | 2,5 | 6 | | | | | |
| | | | | | | | |
| | | | | | | | |
| | | | | | | | |