

## for Event technology



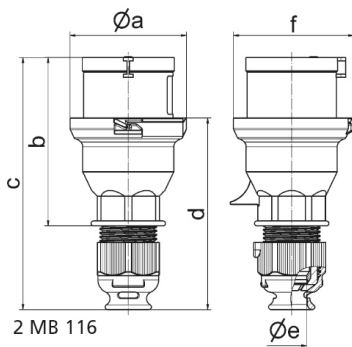
Product description	
BALS-Prd.-Nr	210916
EAN	4024941950701
product category (PG)	Quick-Connect plug
current (A)	16A
number of poles (P99)	4p
number of poles (P)	3P+PE
position of earth contact (H)	6 h
Voltage	380 up to 415V
frequency (HZ)	50 and 60Hz

Product description	
protection degree (SA)	IP44
colour code 1 (KF1)	red RAL 3000
Colour of appliance	Collar black, Housing cover black, Cable gland black
connection design (AT)	screwless spring-clamp
maximum conductor size (LQ)	2,5 qmm
cable entry (KE)	Cable gland
Height	146mm
Width	60mm
Depth	65mm
material of enclosure (GM)	Polyamide
contact	The contacts are brass, The contact carrier is made of high temperature resistant material

Additional technical information	
	Multi-Grip cable gland with gasket and integrated strain relief, Screwless housing connection with snap fastening, For cable diameter from 8 up to max. 18 mm

Logistics data	
Weight/pcs	0.131 kg / Piece
Packaging	Bag
Content amount	1 ST
EAN	4024941950701

Logistics data	
Length	65 mm
Width	60 mm
Height	146 mm
Weight	0.132 kg
Volume	569.4 ccm
Packaging	Carton
Content amount	10 ST
EAN	4024941840415
Length	275 mm
Width	175 mm
Height	137 mm
Weight	1.435 kg
Volume	5,737.5 ccm



Ampere	16	16	16	32	32	32
Polzahl	3	4	5/7	3	4	5/7
a ø	53,0	60,0	66,0	74,5	74,5	74,5
b	93,5	100,5	103,0	121,0	121,0	121,5
c	144,0	151,0	152,0	184,0	184,0	184,5
d	107,5	114,5	115,5	138,0	138,0	138,5
e ø	18,0	18,0	18,0	23,0	23,0	23,0
f	57,5	64,5	70,5	78,0	78,0	80,0
Leiter mm <sup>2</sup> min	1	1	1	2,5	2,5	2,5
Leiter mm <sup>2</sup> max	2,5	2,5	2,5	6	6	6