

## for Event technology



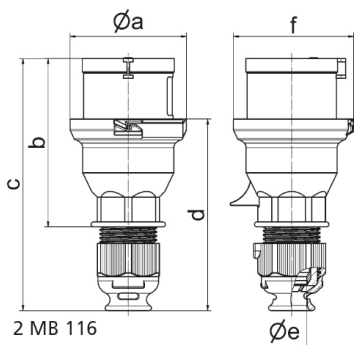
Product description	
BALS-Prd.-Nr	210791
EAN	4024941145732
product group	Quick-Connect plug
current	32A
number of poles	5p
Arrangement of the phases	3p+N+PE
position of earth contact	6 h
voltage (V)	200/346 up to 240/415V
frequency	50 and 60Hz

Product description	
protection degree	IP44
colour code	red RAL 3000
Colour of appliance	Collar black, Housing cover black, Cable gland black
connection design	screwless spring-clamp
maximum conductor size (LQ)	6,0 qmm
cable entry (KE)	Cable gland
Height	179mm
Width	92mm
Depth	88mm
material of enclosure	Polyamide
contact	The contact carrier is made of polyamide, the contacts are brass nickel plated

Additional technical information	
	Multi-Grip cable gland with gasket and integrated strain relief, For cable diameter from 11 up to max. 23,5 mm, Screwless housing connection

Logistics data	
Weight/pcs	0.264 kg / Piece
Packaging	Bag
Content amount	1 ST
EAN	4024941145732
Length	88 mm

Logistics data	
Width	79 mm
Height	178 mm
Weight	0.265 kg
Volume	1,237.456 ccm
Packaging	Carton
Content amount	10 ST
EAN	4024941840446
Length	295 mm
Width	185 mm
Height	215 mm
Weight	2.804 kg
Volume	9,975 ccm



Ampere	16	16	16	32	32	32
Polzahl	3	4	5/7	3	4	5/7
a ø	53,0	60,0	66,0	74,5	74,5	74,5
b	93,5	100,5	103,0	121,0	121,0	121,5
c	144,0	151,0	152,0	184,0	184,0	184,5
d	107,5	114,5	115,5	138,0	138,0	138,5
e ø	18,0	18,0	18,0	23,0	23,0	23,0
f	57,5	64,5	70,5	78,0	78,0	80,0
Leiter mm <sup>2</sup> min	1	1	1	2,5	2,5	2,5
Leiter mm <sup>2</sup> max	2,5	2,5	2,5	6	6	6