

for Event technology



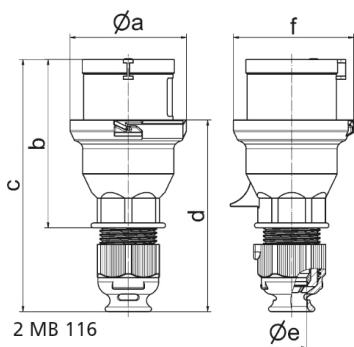
Product description	
BALS-Prd.-Nr	210788
EAN	4024941145718
product group	Quick-Connect plug
current	32A
number of poles	3p
Arrangement of the phases	2P+PE
position of earth contact	6 h
voltage (V)	200 up to 250V
frequency	50 and 60Hz

Product description	
protection degree	IP44
colour code	blue RAL 5015
Colour of appliance	Collar black, Housing cover black, Cable gland black
connection design	screwless spring-clamp
maximum conductor size (LQ)	6,0 qmm
cable entry (KE)	Cable gland
Height	176mm
Width	79mm
Depth	83mm
material of enclosure	Polyamide
contact	The contact carrier is made of polyamide, the contacts are brass nickel plated

Additional technical information	
	Multi-Grip cable gland with gasket and integrated strain relief, Screwless housing connection with snap fastening, For cable diameter from 11 up to max. 23,5 mm

Logistics data	
Weight/pcs	0.222 kg / Piece
Packaging	Bag
Content amount	1 ST
EAN	4024941145718

Logistics data	
Length	83 mm
Width	79 mm
Height	176 mm
Weight	0.223 kg
Volume	1,154.032 ccm
Packaging	Carton
Content amount	10 ST
EAN	4024941840408
Length	258 mm
Width	183 mm
Height	212 mm
Weight	2.372 kg
Volume	8,750 ccm



Ampere	16	16	16	32	32	32
Polzahl	3	4	5/7	3	4	5/7
a ø	53,0	60,0	66,0	74,5	74,5	74,5
b	93,5	100,5	103,0	121,0	121,0	121,5
c	144,0	151,0	152,0	184,0	184,0	184,5
d	107,5	114,5	115,5	138,0	138,0	138,5
e ø	18,0	18,0	18,0	23,0	23,0	23,0
f	57,5	64,5	70,5	78,0	78,0	80,0
Leiter mm ² min	1	1	1	2,5	2,5	2,5
Leiter mm ² max	2,5	2,5	2,5	6	6	6