

plug - with screwless terminals, for harsh applications



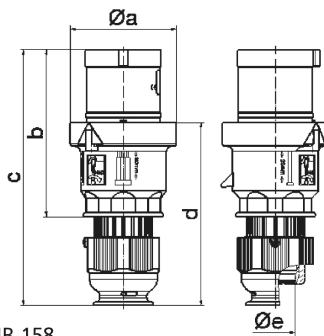
Product description	
BALS-Prd.-Nr	210761
EAN	4024941146951
product group	Quick-Connect TE plug
current	63A
number of poles	4p
Arrangement of the phases	3P+PE
position of earth contact	6 h
voltage (V)	380 up to 415V
frequency	50 and 60Hz

Product description	
protection degree	IP44
colour code	red RAL 3000
Colour of appliance	Pusher grey, Housing cover red, Collar red, Cable gland grey
connection design	screwless spring-clamp tech
maximum conductor size (LQ)	16,0 qmm
cable entry (KE)	Cable gland
Height	234mm
Width	97mm
Depth	98mm
material of enclosure	Polyamide
contact	The contact carrier is made of high temperature resistant material, the contacts are brass nickel plated

Additional technical information	
	For cable diameter from 16 up to max. 36 mm, Screwless housing connection, Multi-Grip cable gland with gasket, integrated cable clamp and additional water evacuation openings

Logistics data	
Weight/pcs	0.66 kg / Piece
Packaging	Bag
Content amount	1 ST
EAN	4024941146951

Logistics data	
Length	98 mm
Width	97 mm
Height	234 mm
Weight	0.661 kg
Volume	2,224.404 ccm
Packaging	Carton
Content amount	5 ST
EAN	4024941965415
Length	325 mm
Width	217 mm
Height	210 mm
Weight	3.506 kg
Volume	13,588.4 ccm



2 MB 158

Ampere	63	63	63				
Polzahl	3	4	5				
a \varnothing	96,0	96,0	96,0				
b	153,0	153,0	153,0				
c	233,0	233,0	233,0				
d	167,0	167,0	167,0				
e \varnothing	36,0	36,0	36,0				
Leiter mm ² min	6	6	6				
Leiter mm ² max	16	16	16				