

for Event technology



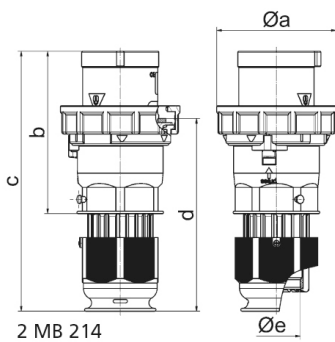
Product description	
BALS-Prd.-Nr	210711
EAN	4024941142649
product group	TE plug
current	125A
number of poles	5p
Arrangement of the phases	3p+N+PE
position of earth contact	6 h
voltage (V)	200/346 up to 240/415V
frequency	50 and 60Hz

Product description	
protection degree	IP67
colour code	red RAL 3000
Colour of appliance	Collar black, Pusher black, Bayonet ring black, Housing cover black, Cable gland black
connection design	box terminal
maximum conductor size (LQ)	50.0 qmm
cable entry (KE)	Cable gland
Height	273mm
Width	126mm
Depth	126mm
material of enclosure	Polyamide
contact	The contact carrier is made of high temperature resistant material, the contacts are brass nickel plated

Additional technical information	
	For cable diameter from 26 up to max. 50 mm, Screwless housing connection, Multi-Grip cable gland with gasket, integrated cable clamp and additional water evacuation openings

Logistics data	
Weight/pcs	1.235 kg / Piece
Packaging	Bag
Content amount	1 ST
EAN	4024941142649

Logistics data	
Length	126 mm
Width	126 mm
Height	273 mm
Weight	1.236 kg
Volume	4,334.148 ccm
Packaging	Carton
Content amount	5 ST
EAN	4024941840484
Length	345 mm
Width	345 mm
Height	217 mm
Weight	6.51 kg
Volume	24,276 ccm



Ampere	125	125	125				
Polzahl	3	4	5				
a ø	126,0	126,0	126,0				
b	181,0	181,0	181,0				
c	282,0	282,0	282,0				
d	206,0	206,0	206,0				
e ø	50,0	50,0	50,0				
Leiter mm ² min	16	16	16				
Leiter mm ² max	50	50	50				