

plug - 7 poles, with Multi-Grip



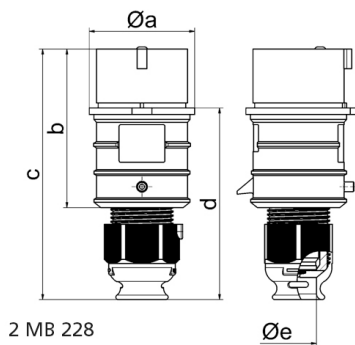
Product description	
BALS-Prd.-Nr	210636
EAN	4024941108386
product group	TE plug
current	32A
number of poles	7p
Arrangement of the phases	6p+PE
position of earth contact	9 h
voltage (V)	230V
frequency	50 and 60Hz

Product description	
protection degree	IP44
colour code	blue RAL 5015
Colour of appliance	Collar blue, Cable gland grey, Housing cover blue
connection design	screw terminal
maximum conductor size (LQ)	6,0 qmm
cable entry (KE)	Cable gland
Height	181mm
Width	72mm
Depth	87mm
material of enclosure	Polyamide
contact	The contact carrier is made of high temperature resistant material, the contacts are brass nickel plated

Additional technical information	
	For cable diameter from 11 up to max. 23,5 mm, Multi-Grip cable gland with gasket, integrated cable clamp and additional water evacuation openings

Logistics data	
Weight/pcs	0.345 kg / Piece
Packaging	Bag
Content amount	1 ST
EAN	4024941108386

Logistics data	
Length	87 mm
Width	72 mm
Height	181 mm
Weight	0.346 kg
Volume	1,133.784 ccm
Packaging	Carton
Content amount	10 ST
EAN	4024941968331
Length	258 mm
Width	183 mm
Height	212 mm
Weight	3.602 kg
Volume	8,750 ccm



Ampere	16	32					
Polzahl	7	7					
a ø	65,0	72,0					
b	97,0	117,0					
c	152,0	181,0					
d	116,0	135,5					
e ø	21,0	27,0					
Leiter mm ² min	1	2,5					
Leiter mm ² max	2,5	6					