

## plug - with screwless terminals, for harsh applications

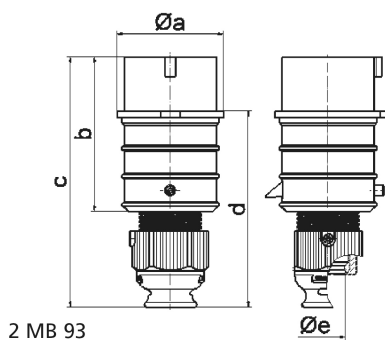


Product description	
BALS-Prd.-Nr	210628
EAN	4024941145367
product group	Quick-Connect TE plug
current	16A
number of poles	4p
Arrangement of the phases	3P+PE
position of earth contact	5 h
voltage (V)	600 up to 690V
frequency	50 and 60Hz

Product description	
protection degree	IP44
colour code	black RAL 9005
Colour of appliance	Collar black, Cable gland grey, Housing cover black
connection design	screwless spring-clamp
maximum conductor size (LQ)	2,5 qmm
cable entry (KE)	Cable gland
Height	154mm
Width	58mm
Depth	66mm
material of enclosure	Polyamide
contact	The contact carrier is made of high temperature resistant material, the contacts are brass nickel plated

Logistics data	
Weight/pcs	0.143 kg / Piece
Packaging	Bag
Content amount	1 ST
EAN	4024941145367
Length	66 mm
Width	58 mm
Height	154 mm
Weight	0.144 kg

Logistics data	
Volume	589.512 ccm
Packaging	Carton
Content amount	10 ST
EAN	4024941837989
Length	275 mm
Width	175 mm
Height	137 mm
Weight	1.555 kg
Volume	5,737.5 ccm



Ampere	16	16	16	32	32	32
Polzahl	3	4	5	3	4	5
a ø	51,0	57,5	65,0	66,0	66,0	72,0
b	95,0	95,0	97,0	118,0	118,0	117,0
c	145,0	145,0	152,0	178,0	178,0	181,0
d	109,0	109,0	116,0	133,0	133,0	135,5
e ø	18,0	18,0	21,0	23,0	23,0	27,0
Leiter mm² min	1	1	1	2,5	2,5	2,5
Leiter mm² max	2,5	2,5	2,5	6	6	6