

plug - with screw terminals one piece housing



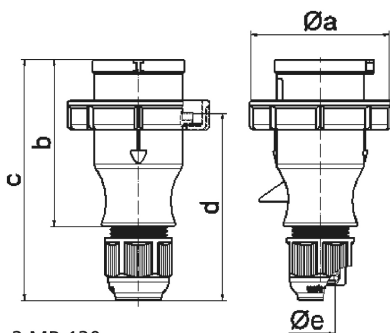
Product description	
BALS-Prd.-Nr	210607
EAN	4024941097079
Product category	TLS plug with Multi-Grip cable gland
Current	32A
Number of poles	5p
Number of poles	3p+N+PE
Position of earth contact	6 h
Voltage	200/346 up to 240/415V
Frequency	50 and 60Hz

Product description	
Protection degree	IP67
Colour code	red RAL 3000
Colour of appliance	Enclosure red RAL 3000, Bayonet ring grey RAL 7035, Cable gland grey RAL 7035
Connection design	with screw terminal
Maximum conductor size	6,0 qmm
Cable entry	Cable gland
Height	174mm
Width	101mm
Depth	101mm
Material of enclosure	Polyamide
Contact	The contact carrier is made of polyamide, the contacts are brass nickel plated

Additional technical information	
	one piece housing, Multi-Grip cable gland with gasket and integrated strain relief, For cable diameter from 11 up to max. 23,5 mm

Logistics data	
Weight/pcs	0.284 kg / Piece
Packaging	Bag
Content amount	1 ST
EAN	4024941097079

Logistics data	
Length	101 mm
Width	101 mm
Height	174 mm
Weight	0.285 kg
Volume	1,774.974 ccm
Packaging	Carton
Content amount	10 ST
EAN	4024941825344
Length	325 mm
Width	217 mm
Height	210 mm
Weight	3.046 kg
Volume	13,588.4 ccm



Ampere	16	16	16	32	32	32
Polzahl	3	4	5	3	4	5
a ø	70,0	78,0	86,0	94,0	94,0	101,0
b	94,5	98,0	101,0	115,0	115,0	119,0
c	138,0	142,0	145,0	170,0	170,0	174,0
d	105,5	109,5	112,5	128,0	128,0	132,0
e ø	18,0	18,0	18,0	23,0	23,0	23,0
Leiter mm² min	1	1	1	2,5	2,5	2,5
Leiter mm² max	2,5	2,5	2,5	6	6	6